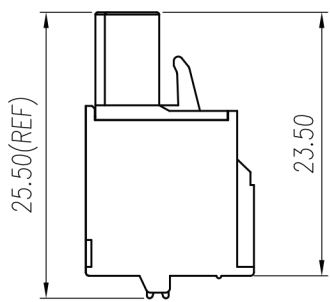
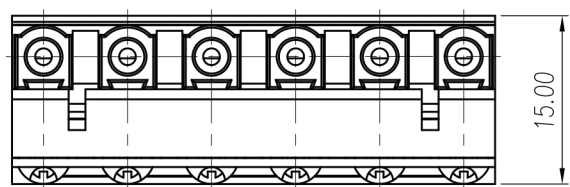




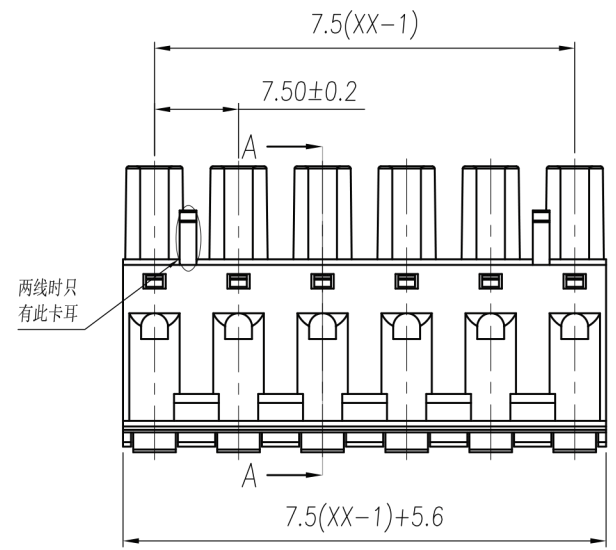
CELION[®]

REVISION RECORD				
REV.	DESCRIPTION	ECN No.	APPROVED	DATE

UL/CUL 技术参数				
UL/CUL Technical Data				
等级 Use Group	B	C	D	
额定电压 Rated Voltage [V]	300	-	300	
额定电流 Rated Current [A]	10	-	10	
接线范围 Wire Range	28-12			
单/多芯线 Solid/Stranded [AWG]				
耐电压 Withstanding Voltage	1600V/1Min			
IEC 技术参数	IEC61984			
IEC Technical Data				
过电压类别 Overvoltage Category	III	III	II	
污染等级 Contamination Class	3	2	2	
额定电压 Rated Voltage [V]	400	630	1000	
额定电流 Rated Current [A]	12	12	12	
额定冲击电压 Impulse withstand voltagea [KV]	6.0	6.0	6.0	
导线截面积 Conductor cross section	0.2-2.5			
硬质/柔性导线 Solid/flexible [mm ²]				
材料 Material				
绝缘材料 Insulation Material	PA66			
阻燃等级 Imflammability	UL94V-0			
导体材料 Contactor Material	铜合金 Copper alloy			
导体表面镀层 Contactive Coating	镀锡 Sn Plated			
一般参数 Other Data				
间距 Pitch /极数 Poles [mm] / [P]	7.5 / 02-16			
剥线长度 Stripping Length [mm]	7-8			
螺丝 Screw/扭矩 Torque(Max) [N.m]	-			
工作温度 Operating temperatur [°C]	-40~105			
引针尺寸 Pin Dimensions [mm]	-			
PCB板孔径 PCB Hole Diameter [mm]	-			



SECTION:A-A



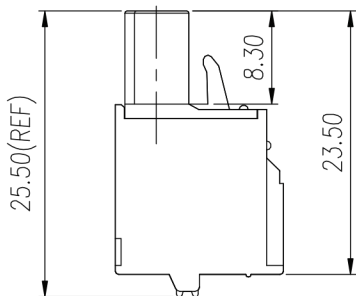
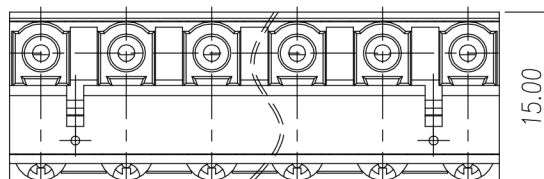
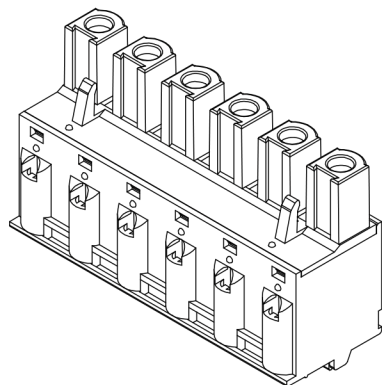
linear dimension(Tolerances Standard GB/T 14486-2008)										
variable range	to 6	over 6 to 10	over 10 to 30	over 30 to 60	over 60 to 100	over 100 to 160	to 10	over 10 to 100	over 100 to 600	
tolerance	±0.20	±0.30	±0.50	±0.70	±1.00	±1.30	±1.60	0.10	0.30	0.60

单位/UNITS	mm	尺寸/SIZE	A4	比例/SCALE	1:5:1	第三视角/THIRD ANGLE PROJECTION	版本/REV	V0
							名称/TITLE	
						2EDGKD-7.5-XXP-1YY-00A		

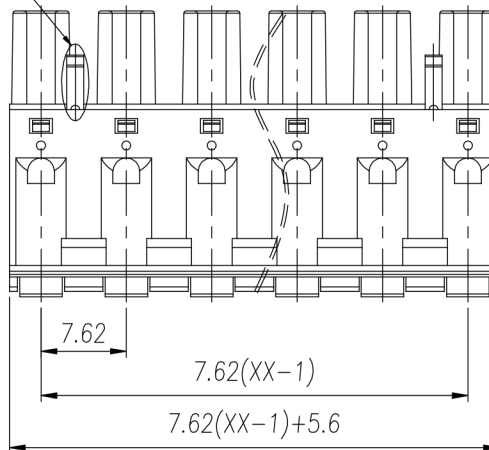


CELION[®]

REVISION RECORD				
REV.	DESCRIPTION	ECN No.	APPROVED	DATE



两线时只有此卡耳



UL/CUL 技术参数 UL/CUL Technical Data				
等级	Use Group	B	C	D
额定电压	Rated Voltage [V]	300	-	300
额定电流	Rated Current [A]	10	-	10
接线范围	Wire Range	28-12		
单/多芯线	Solid/Stranded [AWG]			
耐电压	Withstanding Voltage	1600V/1Min		
IEC 技术参数 IEC Technical Data				
IEC61984				
过电压类别	Overvoltage Category	III	III	II
污染等级	Contamination Class	3	2	2
额定电压	Rated Voltage [V]	400	630	1000
额定电流	Rated Current [A]	12	12	12
额定冲击电压	Impulse withstand voltage [KV]	6.0	6.0	6.0
导线截面积	Conductor cross section	0.2-2.5		
硬质/柔性导线	Solid/flexible [mm ²]			
材料 Material				
绝缘材料	Insulation Material	PA66		
阻燃等级	Imflamability	UL94V-0		
导体材料	Contact Material	铜合金 Copper alloy		
导体表面镀层	Contactive Coating	镀锡 Sn Plated		
一般参数 Other Data				
间距	Pitch / 极数 Poles [mm] / [P]	7.62 / 02~16		
剥线长度	Stripping Length [mm]	7-8		
螺丝	Screw/ 扭矩 Torque(Max) [N.m]	-		
工作温度	Operating temperature [°C]	-40~105		
焊锡温度	Soldering temperature	-		
引针尺寸	Pin Dimensions [mm]	-		
PCB板孔径	PCB Hole Diameter [mm]	-		

linear dimension(Tolerances Standard GB/T 14486-2008)



variable range	to 6	over 6 to 10	over 10 to 30	over 30 to 60	over 60 to 100	over 100 to 160	to 10	over 10 to 100	over 100 to 160	
tolerance	±0.20	±0.30	±0.50	±0.70	±1.00	±1.30	±1.60	0.10	0.30	0.60

单位 / UNITS	mm	尺寸 / SIZE	A4	比例 / SCALE	1:5	第三视角 / THIRD ANGLE PROJECTION	版本 / REV	V0
							名称 / TITLE	2EDGKD-7.62-XXP-1YY-00A