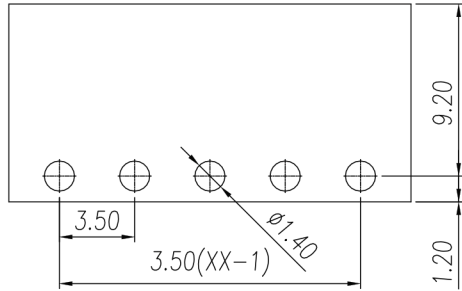


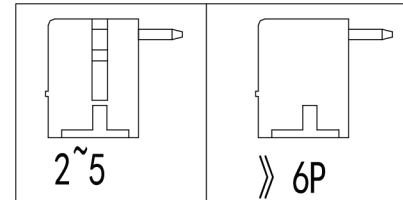
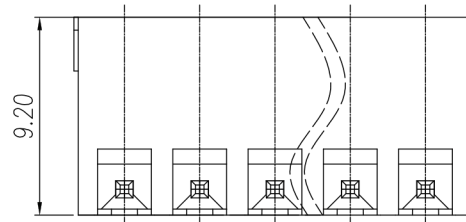
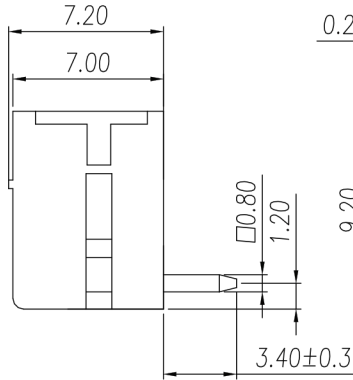
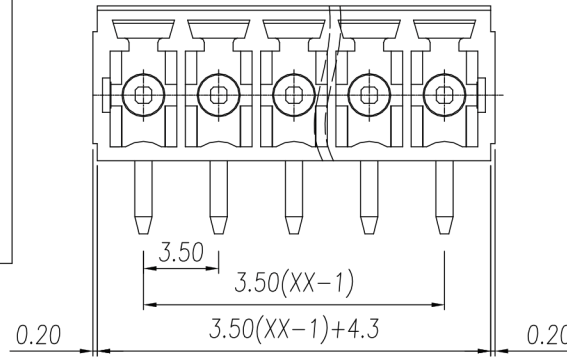


# CELION®

| REVISION RECORD |             |         |          |      |
|-----------------|-------------|---------|----------|------|
| REV.            | DESCRIPTION | ECN No. | APPROVED | DATE |
|                 |             |         |          |      |
|                 |             |         |          |      |
|                 |             |         |          |      |
|                 |             |         |          |      |



P.C.B. LAYOUT



|                                     |   |                  |     |     |
|-------------------------------------|---|------------------|-----|-----|
| UL/CUL 技术参数                         |   |                  |     |     |
| UL/CUL Technical Data               |   |                  |     |     |
| 等级                                  | Use Group                                       | B                | C   | D   |
| 额定电压                                | Rated Voltage [V]                               | 300              | -   | 300 |
| 额定电流                                | Rated Current [A]                               | 8                | -   | 8   |
| 接线范围<br>单/多芯线                       | Wire Range<br>Solid/Stranded [AWG]              | -                |     |     |
| 耐电压                                 | Withstanding Voltage                            | 1600V/1Min       |     |     |
| IEC 技术参数                            |   |                  |     |     |
| IEC Technical Data                  |   |                  |     |     |
| 过电压类别                               | Overvoltage Category                            | III              | III | II  |
| 污染等级                                | Contamination Class                             | 3                | 2   | 2   |
| 额定电压                                | Rated Voltage [V]                               | 160              | 160 | 250 |
| 额定电流                                | Rated Current [A]                               | 7                | 7   | 7   |
| 额定冲击电压<br>Impulse withstand voltage | [KV]  | 2.5              | 2.5 | 2.5 |
| 导线截面积<br>硬质/柔性导线                    | Conductor cross section<br>Solid/flexible [mm²] | -                |     |     |
| 材料                                  |   | Material         |     |     |
| 绝缘材料                                | Insulation Material                             | PA66             |     |     |
| 阻燃等级                                | Imflammability                                  | UL94V-0          |     |     |
| 导体材料                                | Contacting Material                             | 铜合金 Copper alloy |     |     |
| 导体表面镀层                              | Contactive Coating                              | 镀锡 Sn Plated     |     |     |
| 一般参数                                |   | Other Data       |     |     |
| 间距                                  | Pitch / 极数 Poles [mm] / [P]                     | 3.5 / 02~24      |     |     |
| 剥线长度                                | Stripping Length [mm]                           | -                |     |     |
| 螺丝                                  | Screw/扭矩 Torque(Max) [N.m]                      | -                |     |     |
| 工作温度                                | Operating temperature [°C]                      | -40~105          |     |     |
| 焊锡温度                                | Soldering temperature                           | 260°C/5S         |     |     |
| 引针尺寸                                | Pin Dimensions [mm]                             | 0.8*0.8          |     |     |
| PCB板孔径                              | PCB Hole Diameter [mm]                          | Ø1.4             |     |     |

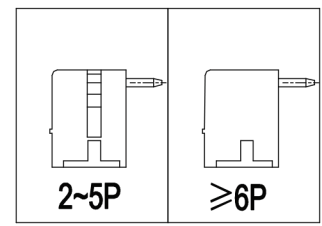
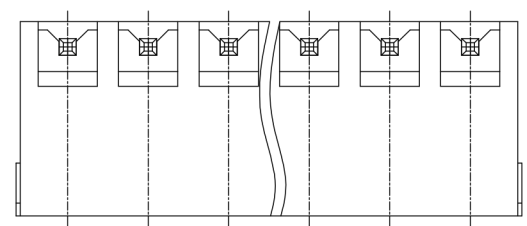
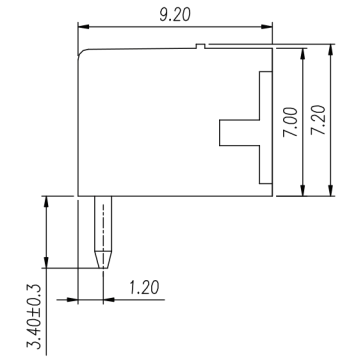
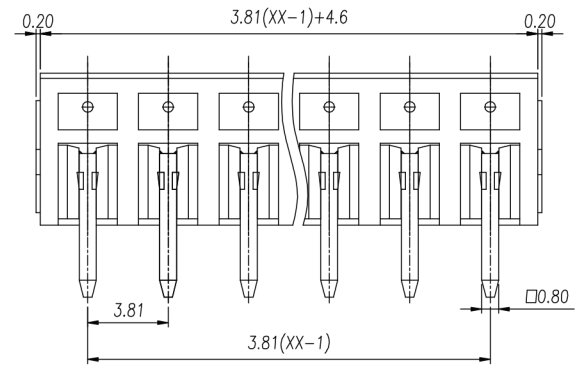
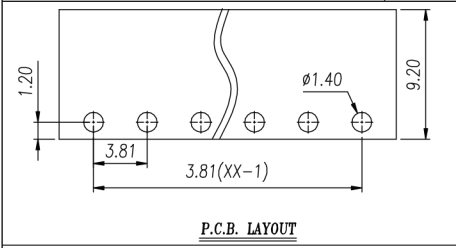
| linear dimension(Tolerances Standard GB/T 14486-2008) |       |              |               |               |                |                 |       | —              | ∕               | ⊥    | ⌒             |               |               |                |
|---|-------|--------------|---------------|---------------|----------------|-----------------|-------|----------------|-----------------|------|---------------|---------------|---------------|----------------|
| variable range  | to    | over 6 to 10 | over 10 to 30 | over 30 to 60 | over 60 to 100 | over 100 to 160 | to    | over 10 to 100 | over 100 to 100 | to   | over 10 to 10 | over 10 to 30 | over 30 to 60 | over 60 to 100 |
| tolerance   | ±0.20 | ±0.30        | ±0.50         | ±0.70         | ±1.00          | ±1.30           | ±1.60 | 0.10           | 0.30            | 0.60 | ±0.20         | ±0.40         | ±0.60         | ±1.00          |

|            |    |           |    |            |     |                               |            |                         |
|------------|----|-----------|----|------------|-----|-------------------------------|------------|-------------------------|
| 单位 / UNITS | mm | 尺寸 / SIZE | A4 | 比例 / SCALE | 3:1 | 第三视角 / THIRD ANGLE PROJECTION | 版本 / REV   | V0                      |
|            |    |           |    |            |     |                               | 名称 / TITLE | 15EDGRC-3.5-XXP-1YY-00A |
|            |    |           |    |            |     |                               |            |                         |



# CELION<sup>®</sup>

| REVISION RECORD |             |         |          |      |
|-----------------|-------------|---------|----------|------|
| REV.            | DESCRIPTION | ECN No. | APPROVED | DATE |
|                 |             |         |          |      |
|                 |             |         |          |      |
|                 |             |         |          |      |
|                 |             |         |          |      |



| UL/CUL 技术参数     |                                    | UL/CUL Technical Data |     |     | UL <sup>®</sup> CUL <sup>®</sup> US |  |  |
|-----------------|------------------------------------|-----------------------|-----|-----|-------------------------------------|--|--|
| 等级              | Use Group                          | B                     | C   | D   |                                     |  |  |
| 额定电压            | Rated Voltage [V]                  | 300                   | -   | 300 |                                     |  |  |
| 额定电流            | Rated Current [A]                  | 8                     | -   | 8   |                                     |  |  |
| 接线范围            | Wire Range                         |                       |     |     |                                     |  |  |
| 单/多芯线           | Solid/Stranded [AWG]               | -                     |     |     |                                     |  |  |
| 耐电压             | Withstanding Voltage               | 1600V/1Min            |     |     |                                     |  |  |
| IEC 技术参数        |                                    | IEC Technical Data    |     |     | DVE                                 |  |  |
| 过电压类别           | Overvoltage Category               | III                   | III | II  |                                     |  |  |
| 污染等级            | Contamination Class                | 3                     | 2   | 2   |                                     |  |  |
| 额定电压            | Rated Voltage [V]                  | 160                   | 160 | 250 |                                     |  |  |
| 额定电流            | Rated Current [A]                  | 7                     | 7   | 7   |                                     |  |  |
| 额定冲击电压          | Impulse withstand voltage [KV]     | 2.5                   | 2.5 | 2.5 |                                     |  |  |
| 导线截面积           | Conductor cross section            |                       |     |     |                                     |  |  |
| 硬质/柔性导线         | Solid/ flexible [mm <sup>2</sup> ] | -                     |     |     |                                     |  |  |
| 材料 Material     |                                    |                       |     |     |                                     |  |  |
| 绝缘材料            | Insulation Material                | PA66                  |     |     |                                     |  |  |
| 阻燃等级            | Imflamability                      | UL94V-0               |     |     |                                     |  |  |
| 导体材料            | Contacting Material                | 铜合金 Copper alloy      |     |     |                                     |  |  |
| 导体表面镀层          | Contactive Coating                 | 镀锡 Sn Plated          |     |     |                                     |  |  |
| 一般参数 Other Data |                                    |                       |     |     |                                     |  |  |
| 间距              | Pitch /极数 Poles [mm] / [P]         | 3.81 / 02-24          |     |     |                                     |  |  |
| 剥线长度            | Stripping Length [mm]              | -                     |     |     |                                     |  |  |
| 螺丝              | Screw/扭矩 Torque(Max) [N.m]         | -                     |     |     |                                     |  |  |
| 工作温度            | Operating temperature [°C]         | -40~105               |     |     |                                     |  |  |
| 焊接温度            | Soldering temperature              | 260°C/5S              |     |     |                                     |  |  |
| 引针尺寸            | Pin Dimensions [mm]                | 0.8*0.8               |     |     |                                     |  |  |
| PCB板孔径          | PCB Hole Diameter [mm]             | Ø1.4                  |     |     |                                     |  |  |

| linear dimension(Tolerances Standard GB/T 14486-2008) |       |              |               |               |                |                 |                |                |                 |      |
|---|-------|--------------|---------------|---------------|----------------|-----------------|----------------|----------------|-----------------|------|
| variable range  | to 6  | over 6 to 10 | over 10 to 30 | over 30 to 60 | over 60 to 100 | over 100 to 160 | over 160 to 10 | over 10 to 100 | over 100 to 100 |      |
| tolerance   | ±0.20 | ±0.30        | ±0.50         | ±0.70         | ±1.00          | ±1.30           | ±1.60          | 0.10           | 0.30            | 0.60 |

|            |    |           |    |            |     |                               |            |                          |
|------------|----|-----------|----|------------|-----|-------------------------------|------------|--------------------------|
| 单位 / UNITS | mm | 尺寸 / SIZE | A4 | 比例 / SCALE | 3:1 | 第三视角 / THIRD ANGLE PROJECTION | 版本 / REV   | V0                       |
|            |    |           |    |            |     |                               | 名称 / TITLE | 15EDGRC-3.81-XXP-1YY-00A |
|            |    |           |    |            |     |                               |            |                          |