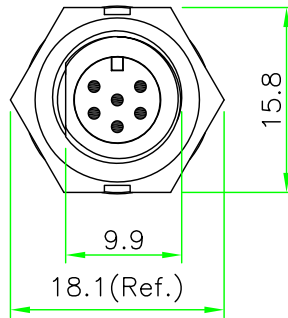
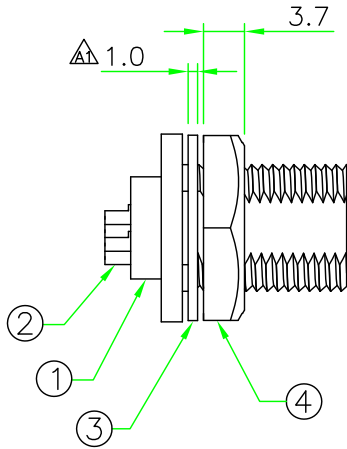
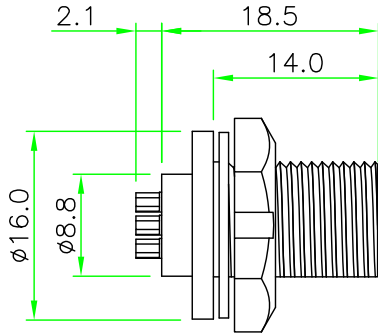
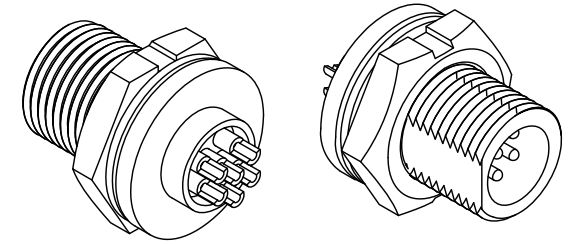


RECOMMENDED  
PANEL CUT OUT



REV.	DESCRIPTION	DATE
A	ISSUE	Sep/29/2014
A1	Modify Gasket Thickness	Jun/18/2015



**RoHS**  
**IP66~68**

NOTES:

- ELECTRICAL CHARACTERISTICS:  
CURRENT RATING: 2A / 5A  
CONNECTOR TEMPERATURE RANGE: -25°C TO +85°C  
DIELECTRIC WITHSTANDING VOLTAGE:  
500V AC FOR ONE MINUTE
- PANEL THICKNESS MAX. 4.0mm
- HOW TO ORDER: CAX-P1xxCSR

- 02 - 2 PIN    04 - 4 PIN
- 03 - 3 PIN    05 - 5 PIN
- 06 - 6 PIN
- D - CURRENT RATING 5A
- N - CURRENT RATING 2A

OLD P/N: CAX-P1xxCS



PIN ASSIGNMENT FRONT VIEW  
(前視圖)

4	HEX NUT	NYLON+GF.	BLACK	1	
3	GASKET	EPDM.	BLACK	1	
2	CONTACT	Brass , 6 u" Gold Plated . Male Contact.		N	
1	CONNECTOR	A Size Male Connector Insert.NYLON+GF.	BLACK	1	
No.	PART NAME	DESCRIPTION	COLOR	Q'TY	REMARKS

 Votre partenaire électronique			
	UNIT: mm SCALE: 1.5:1 UNLESS OTHERWISE SPECIFIED TOLERANCES: .X ± 0.5    .XX ± 0.25 .XXX ± 0.1    ANGLE ± 1° REV. A1    SHEET 1/1	<b>TITLE</b> Circular A Size Male Connector Male Pin Rear Mount Screw Type Round Flange Solder Bucket Pin  <b>P/N:</b> CAX-P1xxCSR  <b>DWG.NO:</b> CAX-P1xxCSR	<b>DR.</b> Patty <b>CH.</b> ERIC <b>AP.</b>