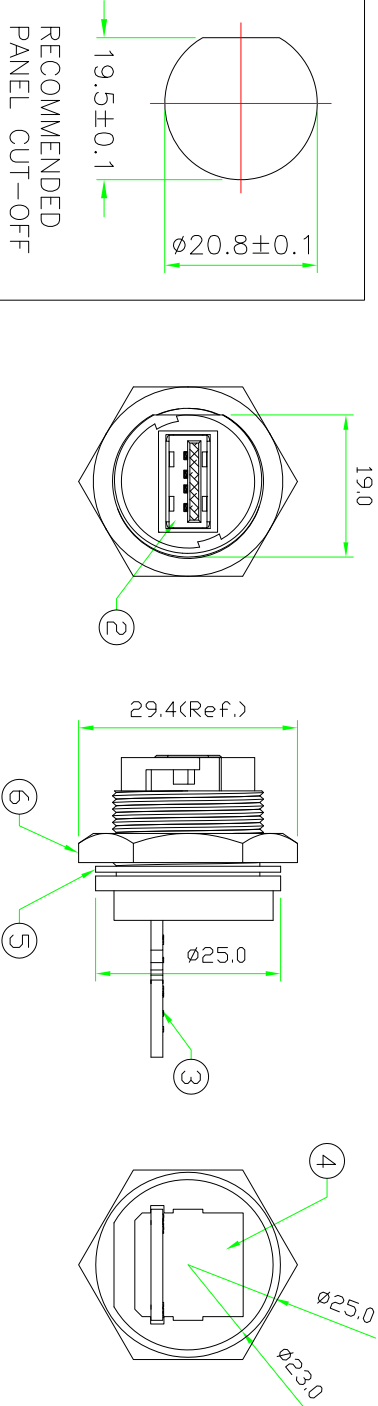
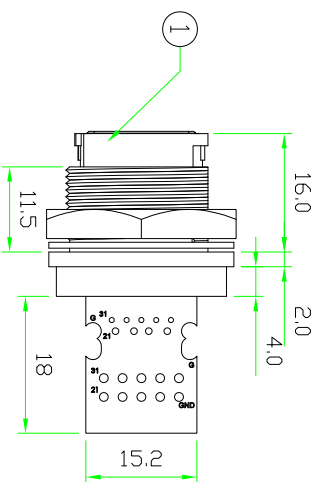
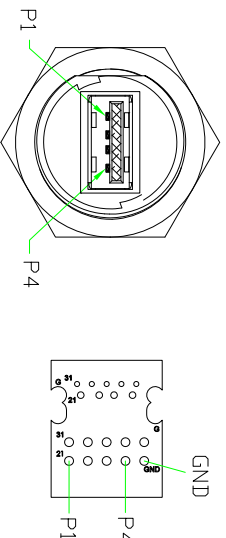


REV	DESCRIPTION	DATE
A	ISSUE	OCT/03/2012



IP67
RoHS

RECOMMENDED
 PANEL CUT-OFF

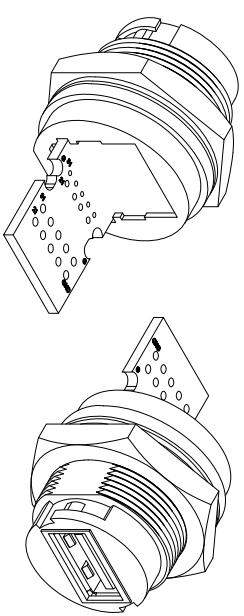


PIN ASSIGNMENT FRONT VIEW (前视图)

No.	PART NAME	DESCRIPTION	COLOR	QTY	REMARKS
6	HEX NUT	NYLON+GF.	BLACK	1	G-NUT (42-135)
5	GASKET	EPDM.	BLACK	1	CGA-G-EP70
4	GLUE	EPOXY.	BLACK	1	
3	PCB	FR4 . DOUBLE SIDE, 1.6mm THICKNESS.		1	USBAC-PCB
2	CONNECTOR	USB 2.0 A TYPE FEMALE CONNECTOR.		1	UA9T-0401-B100-R
1	BODY	USB A TYPE FEMALE CONNECTOR BODY. NYLON+GF.	BLACK	1	USBAC-L3C (89-135-N3-3)

NOTES:

1. Current Rating: 1A
2. Connector Temperature Range: -40°C to 105°C
3. Contact Resistance: $\leq 30m\Omega$
4. Insulation Resistance: $\geq 1,000M\Omega$
5. Breakdown Voltage: $\geq AC 500V/1$ Minute



	SCALE	1:1
	UNIT	mm

UNLESS OTHERWISE SPECIFIED TOLERANCES:
 XXX ± 0.05 ANGLE ± 1/2X

REV.	A	SHEET	1/1	DWG. NO.	USB2AC-L3C10	DR.	JACKY
						CH.	Michael
						AP.	

TITLE : USB 2.0 A TYPE FEMALE C SIZE
 LOCK TYPE CIRCULAR FLANGE PANEL
 WITH BARE PCB

P/N: USB2AC-L3C10

DWG. NO.: USB2AC-L3C10