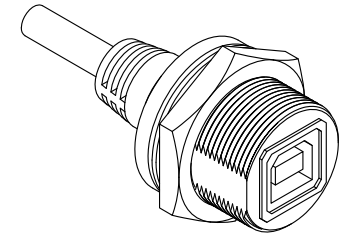
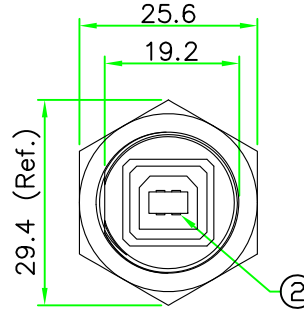
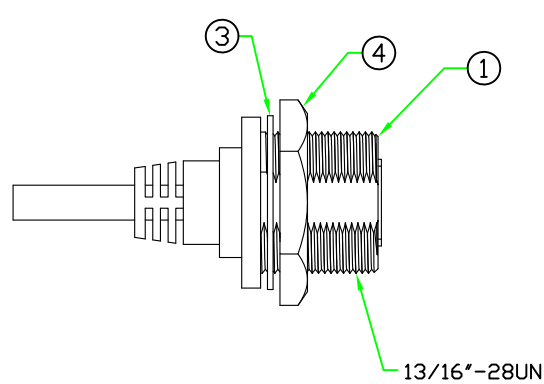
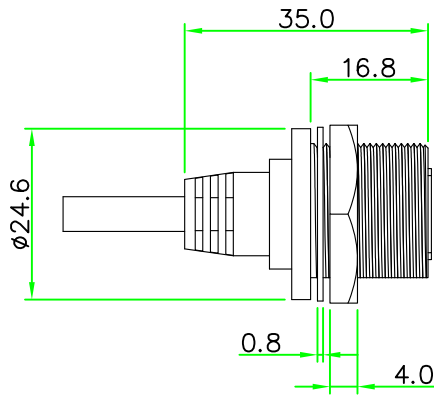


RECOMMENDED
PANEL CUT OUT

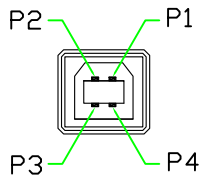
RoHS

IP66~68



NOTES:

1. Current Rating: 1A
2. Connector Temperature Range: -20°C to 80°C
3. Contact Resistance: ≤30mΩ
4. Insulation Resistance: ≥100MΩ
5. Breakdown Voltage: ≥AC 500V/1 Minute
6. With Waterproof Cap Request
Panel Thickness Max. 5.0



PIN ASSIGNMENT
FRONT VIEW(前視圖)

Wiring Diagram

- | | | | |
|-------|---|--------------|----|
| 1 | — | RED(24AWG) | 紅 |
| 2 | ⊗ | WHITE(28AWG) | 白 |
| 3 | ⊗ | GREEN(28AWG) | 綠 |
| 4 | — | BLACK(24AWG) | 黑 |
| SHELL | — | DRAIN | 地線 |

No.	PART NAME	DESCRIPTION	COLOR	Q'TY	REMARKS
5	CABLE	UL2725 28AWGx1P+24AWGx2C+DRAIN+AL/MYLAR+BRAID.	BLACK	1	
4	HEX NUT	NYLON+GF.	BLACK	1	
3	GASKET	EPDM.	BLACK	1	
2	CONTACT	USB B Type Female Contact.		1	
1	CONNECTOR	USB B Type Male Connector Insert. NYLON+GF.	BLACK	1	

REV.		DESCRIPTION		DATE
A	ISSUE			Jan/13/2015

		TITLE : USB 2.0 B Type Female C Size Male Connector Female Pin Molded Cable	
UNIT: mm	SCALE	P/N:	DR. Patty
1:1	1:1	USB2BC-P3CSM-xxM	CH. ERIC
UNLESS OTHERWISE SPECIFIED TOLERANCES: .X ± 0.25 .XX ± 0.1 .XXX ± 0.05 ANGLE ± 1°		DWG.NO:	AP.
REV. A	SHEET 1/1	USB2BC-P3CSM-xxM	