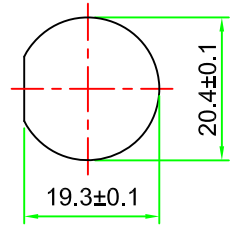


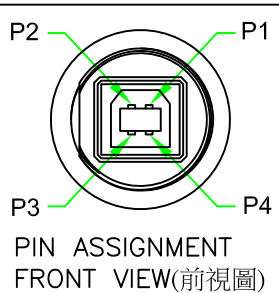
REV.	DESCRIPTION	DATE
A	ISSUE	Nov/15/2019



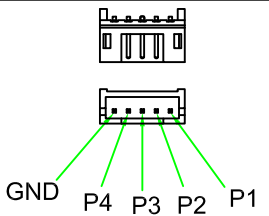
RECOMMENDED  
PANEL CUT OUT

RoHS

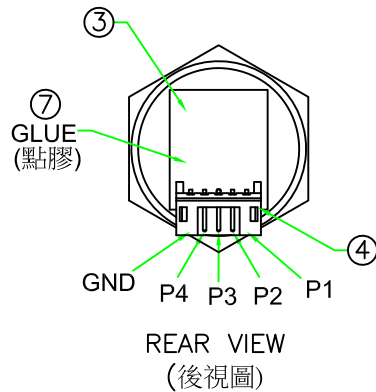
IP66~68



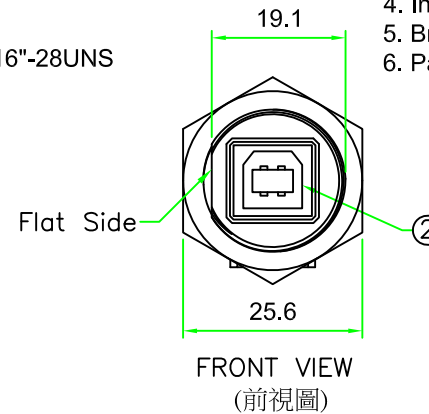
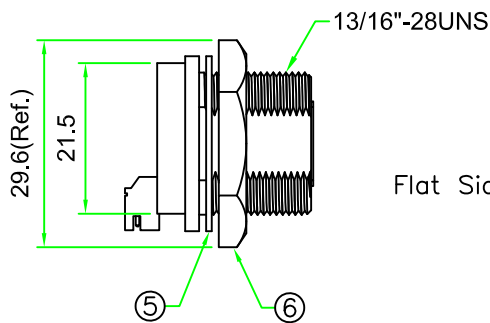
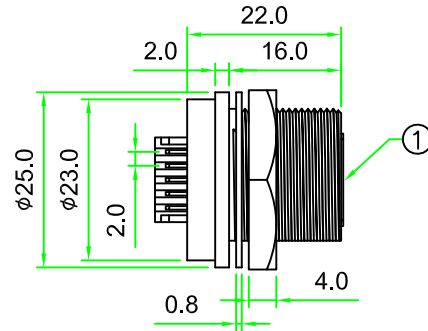
PIN ASSIGNMENT  
FRONT VIEW(前視圖)



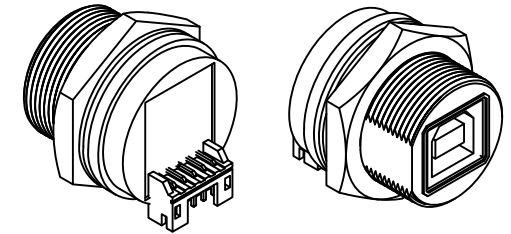
PIN ASSIGNMENT  
REAR VIEW(後視圖)



REAR VIEW  
(後視圖)



FRONT VIEW  
(前視圖)



NOTES:

1. Current Rating: 1A
2. Connector Temperature Range: -25°C to 85°C
3. Contact Resistance: ≤30mΩ
4. Insulation Resistance: ≥100MΩ
5. Breakdown Voltage: ≥AC 500V/1 Minute
6. Panel Thickness Max. 4.0mm

7	GLUE	EPOXY.	BLACK		
6	HEX NUT	NYLON+GF.	BLACK	1	
5	GASKET	EPDM.	BLACK	1	
4	WAFER	PITCH 2.0mm, Right Angle. 5P*1ROW.		1	
3	PCB	FR4 . Double Side, 1.0mm Thickness.		1	
2	CONNECTOR	USB B Type Female Connector.		1	
1	BODY	USB B Type Lock Type Female Connector Insert. NYLON+GF.	BLACK	1	
No.	PART NAME	DESCRIPTION	COLOR	Q'TY	REMARKS

		TITLE : USB 2.0 B Type Female C Size Screw Type Circular Flange Panel 5 Pin Right Angle Wafer	
	UNIT: mm	P/N:	USB2BC-P3C04
SCALE	1:1	DR.	SIBYL
UNLESS OTHERWISE SPECIFIED TOLERANCES: .X ± 0.25 .XX ± 0.1 .XXX ± 0.05 ANGLE ± 1°		CH.	JAMES
REV.	SHEET	DWG.NO:	USB2BC-P3C04
A	1/1	AP.	