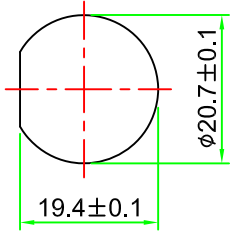


PROPRIETARY AND CONFIDENTIAL
 THE INFORMATION CONTAINED IN THIS DRAWING IS THE SOLE PROPERTY OF HTP ASIA TECHNOLOGY CO., LTD. .
 ANY REPRODUCTION IN PART OR AS A WHOLE WITHOUT THE WRITTEN PERMISSION OF HTP ASIA TECHNOLOGY CO., LTD. IS PROHIBITED.

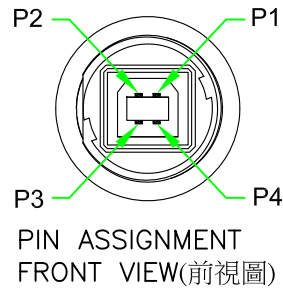
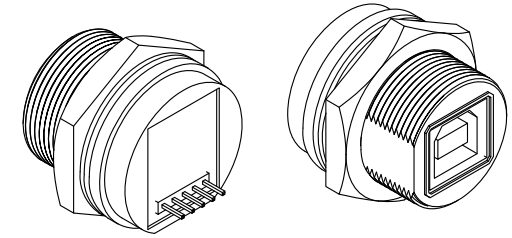
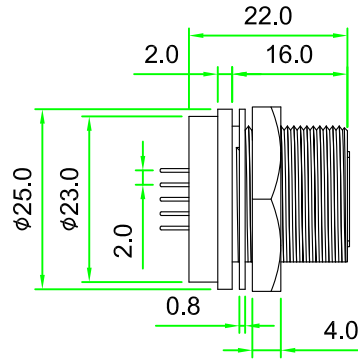
RoHS

IP66

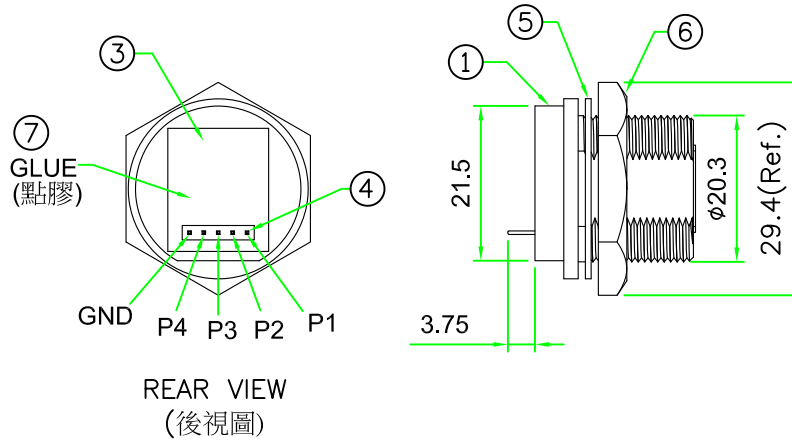
REV.	DESCRIPTION	DATE
A	ISSUE	Aug/02/2018



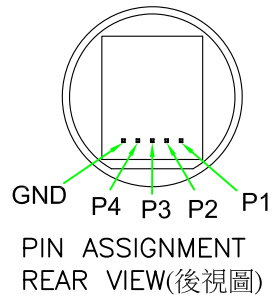
RECOMMENDED
PANEL CUT OUT



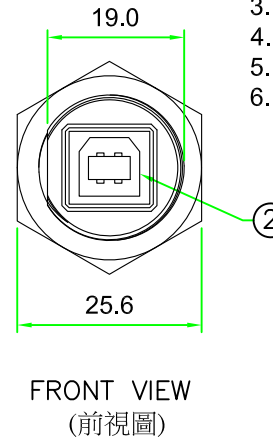
PIN ASSIGNMENT
FRONT VIEW(前視圖)



REAR VIEW
(後視圖)



PIN ASSIGNMENT
REAR VIEW(後視圖)



FRONT VIEW
(前視圖)

NOTES:

1. Current Rating: 1A
2. Connector Temperature Range: -25°C to 85°C
3. Contact Resistance: ≤30mΩ
4. Insulation Resistance: ≥100MΩ
5. Breakdown Voltage: ≥AC 500V/1 Minute
6. Panel Thickness Max. 6.0 mm

7	GLUE	EPOXY.	BLACK		
6	HEX NUT	NYLON+GF.	BLACK	1	
5	GASKET	EPDM.	BLACK	1	
4	PIN HEADER	PITCH 2.0mm, Straight Angle. 5P*1ROW.		1	
3	PCB	FR4 . Double Side, 1.0mm Thickness.		1	
2	CONNECTOR	USB B Type Female Connector.		1	
1	BODY	USB B Type Lock Type Female Connector Insert. NYLON+GF.	BLACK	1	
No.	PART NAME	DESCRIPTION	COLOR	Q'TY	REMARKS

		UNIT: mm	TITLE : USB 2.0 B Type Female C Size Lock Type Cicular Flange Panel 5 Pin Straight Angle Pin Header		
SCALE		1:1	P/N: USB2BC-P3C01		
UNLESS OTHERWISE SPECIED TOLERANCES: .X ± 0.25 .XX ± 0.1 .XXX ± 0.05 ANGLE ± 1°		REV.	SHEET	DWG.NO:	DR. SIBYL
A	1/1	USB2BC-P3C01			CH. ERIC
					AP.