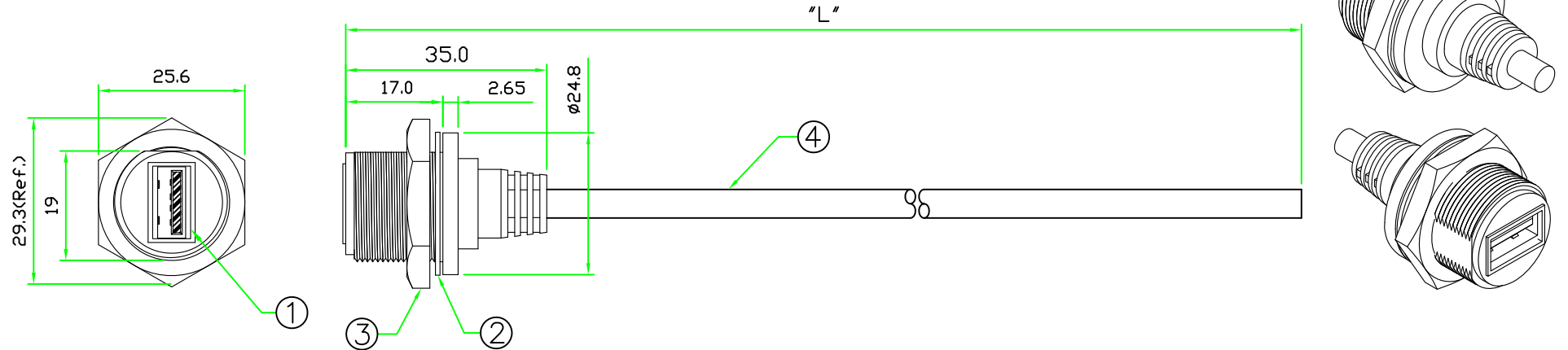
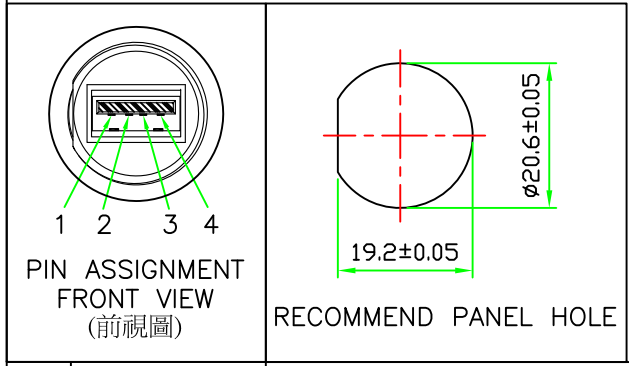


REV	DESCRIPTION	DATE
A	ISSUE	JUL/18/2012
A1	Correct P/N	APR/30/2013



Wiring Diagram

- 1 ——— RED(24AWG) 紅
- 2 ——— WHITE(28AWG) 白
- 3 ——— GREEN(28AWG) 綠
- 4 ——— BLACK(24AWG) 黑
- SHELL ——— DRAIN 地線



No.	PART NAME	DESCRIPTION	COLOR	Q'TY	REMARKS
4	CABLE	28AWGx1P+24AWGx2C+AL/MYLAR+DRAIN+BRAID. OD:5.0mm.	BLACK	1	
3	HEX NUT	NYLON+GF.	BLACK	1	42-135
2	GASKET	EPDM.	BLACK	1	84-135
1	CONNECTOR	USB A 2.0 TYPE FEMALE CONNECTOR.	WHITE	1	

		TITLE : USB A 2.0 TYPE FEMALE PANEL SCREW & CIRCULAR FLANGE TYPE CABLE MOLDED	
	UNIT: mm		
UNLESS OTHERWISE SPECIFIED TOLERANCES: x ±0.25 xx ±0.1 xxx ±0.05 ANGLE ± 1°X		DWG.NO: 	AP.
REV. A1	SHEET 1/1		