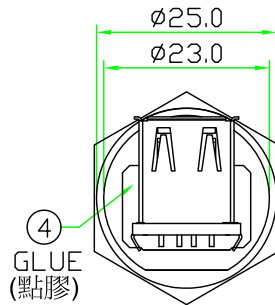
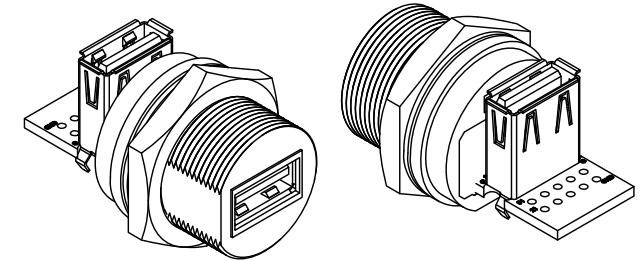
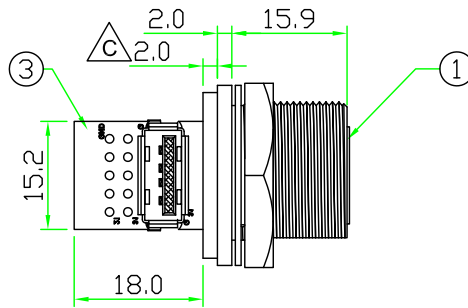


RECOMMENDED
PANEL CUT OUT

RoHS

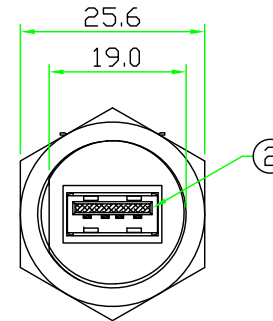
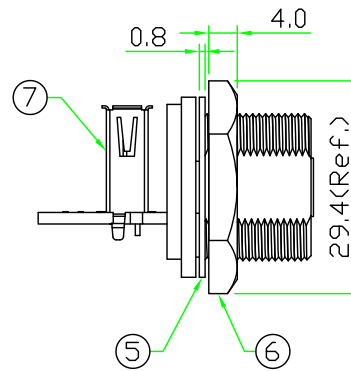
IP66~68

REV	DESCRIPTION	DATE
A	ISSUE	Oct/03/2012
B	Change P/N NO.	May/23/2014
C	Change length & rear shape	Oct/02/2015



GLUE
(點膠)

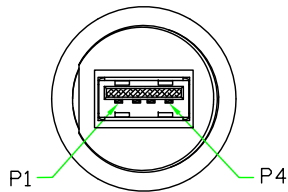
REAR VIEW
(後視圖)



FRONT VIEW
(前視圖)

NOTES:

1. Current Rating: 1A
2. Connector Temperature Range: -25°C to 85°C
3. Contact Resistance: ≤30mΩ
4. Insulation Resistance: ≥100MΩ
5. Breakdown Voltage: ≥AC 500V/1 Minute
6. Panel Thickness Max. 6.0 mm



PIN ASSIGNMENT
FRONT VIEW
(前視圖)

OLD P/N:USB2AC-P3CSJ
(原型號)

No.	PART NAME	DESCRIPTION	COLOR	Q'TY	REMARKS
7	CONNECTOR	USB 2.0 A Type Female Straight PCB Type.		1	
6	HEX NUT	NYLON+GF.	BLACK	1	
5	GASKET	EPDM.	BLACK	1	
4	GLUE	EPOXY.	BLACK	1	
3	PCB	FR4. Double Size, 1.6mm Thickness		1	
2	CONNECTOR	USB 2.0 A Type Female Connector.	WHITE	1	
1	BODY	USB A Type Female Connector Body. NYLON+GF.	BLACK	1	

		TITLE : USB 2.0 A Type Female C Size Screw Type Circular Flange Panel With Straight USB 2.0 A Type Female	
UNIT: mm	SCALE	1:1	P/N: \triangle USB2AC-P3CRJ
UNLESS OTHERWISE SPECIFIED TOLERANCES: .x ± 0.5 .xx ± 0.25 .xxx ± 0.1 ANGLE ± 1'		REV.	DR. Patty
C	SHEET	1/1	CH. ERIC
		DWG.NO:	AP.
		\triangle USB2AC-P3CRJ	