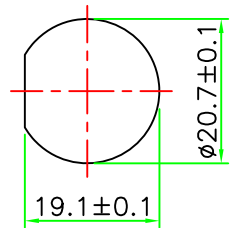


PROPRIETARY AND CONFIDENTIAL  
 THE INFORMATION CONTAINED IN THIS DRAWING IS THE SOLE PROPERTY OF HTP ASIA TECHNOLOGY CO., LTD. .  
 ANY REPRODUCTION IN PART OR AS A WHOLE WITHOUT THE WRITTEN PERMISSION OF HTP ASIA TECHNOLOGY CO., LTD. IS PROHIBITED.

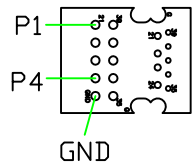
RoHS

IP66~68

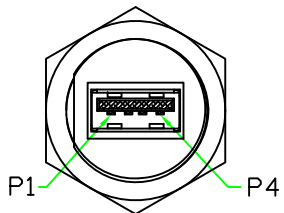
REV.	DESCRIPTION	DATE
A	ISSUE	Oct/03/2012
B	Change design	Feb/23/2016



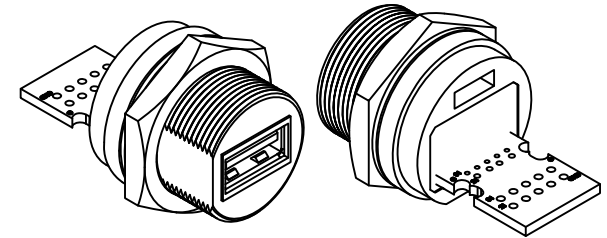
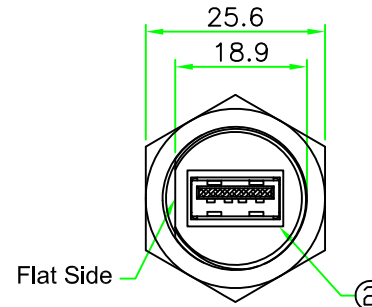
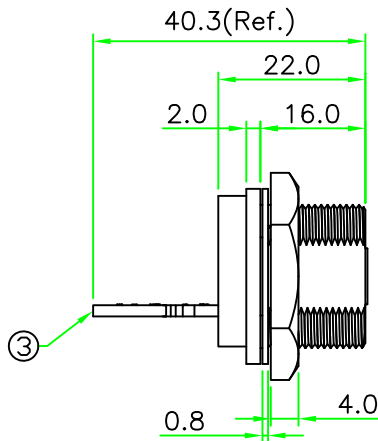
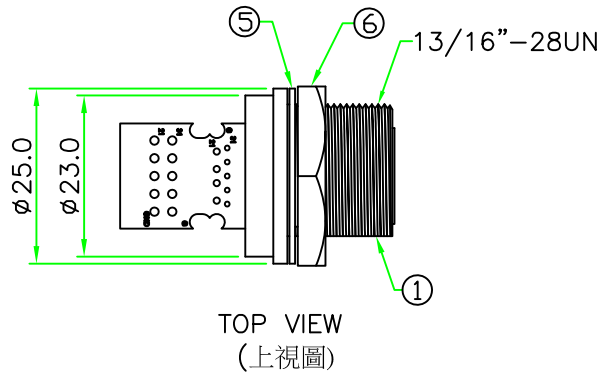
RECOMMENDED  
 PANEL CUT OUT



PIN ASSIGNMENT  
 TOP VIEW  
 (上視圖)



PIN ASSIGNMENT  
 FRONT VIEW  
 (前視圖)



Notes:

- Current Rating : 1.5Amp
- Contact Resistance : 30m Ohm Max.
- Insulation Resistance : 100M Ohm Min.
- Breakdown Voltage : ≥ AC 500V/1 Minute.
- Operating Temperature : -25°C ~ +85°C.
- Panel Thickness Max. : 6mm.

No.	PART NAME	DESCRIPTION	COLOR	Q'TY	REMARKS
6	HEX NUT	NYLON+GF.	BLACK	1	
5	GASKET	EPDM.	BLACK	1	
4	GLUE	EPOXY.	BLACK		
3	PCB	FR4. Double Size, 1.6mm Thickness.		1	
2	CONNECTOR	USB 2.0 A Type Female Connector.	WHITE	1	
1	BODY	USB A Type Female Connector Body. NYLON+GF.	BLACK	1	

		TITLE : USB 2.0 A Type Female C Size Rear Mount Screw Type Circular Flange With Bare PCB	
SCALE : 1:1	UNIT: mm	P/N: USB2AC-P3C10	DR. JACK
UNLESS OTHERWISE SPECIFIED TOLERANCES: .X ± 0.5 .XX ± 0.25 .XXX ± 0.1 ANGLE ± 1°			CH. ERIC
REV. B	SHEET 1/1	DWG.NO: USB2AC-P3C10	AP.