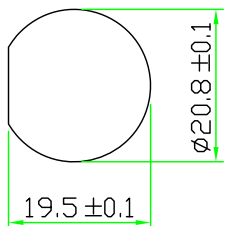


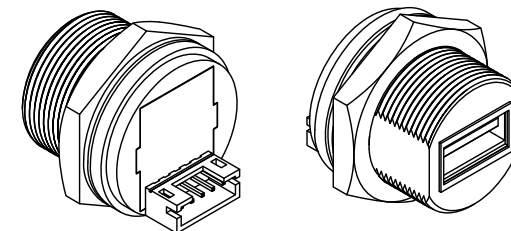
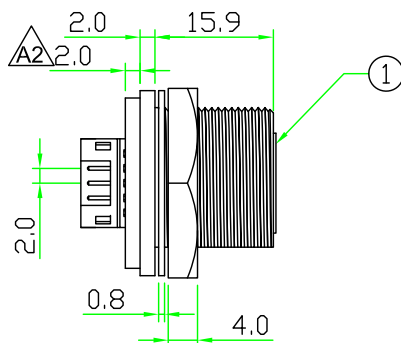
PROPRIETARY AND CONFIDENTIAL
 THE INFORMATION CONTAINED IN THIS DRAWING IS THE SOLE PROPERTY OF HTP ASIA TECHNOLOGY CO., LTD. .
 ANY REPRODUCTION IN PART OR AS A WHOLE WITHOUT THE WRITTEN PERMISSION OF HTP ASIA TECHNOLOGY CO., LTD. IS PROHIBITED.

RoHS

IP66~68

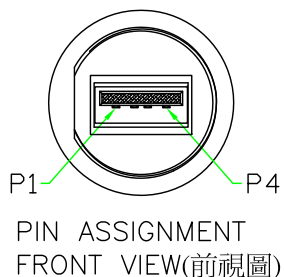


RECOMMENDED
 PANEL CUT OUT

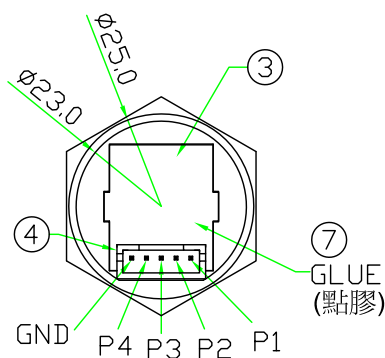


NOTES:

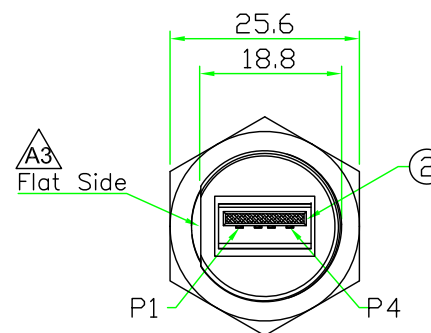
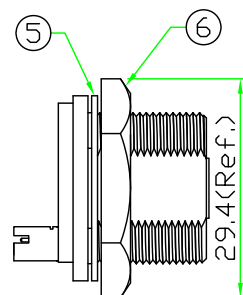
1. Current Rating: 1A
2. Connector Temperature Range: -25°C to 85°C
3. Contact Resistance: ≤30mΩ
4. Insulation Resistance: ≥100MΩ
5. Breakdown Voltage: ≥AC 500V/1 Minute



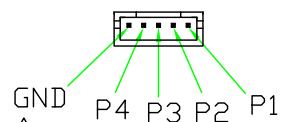
PIN ASSIGNMENT
 FRONT VIEW(前視圖)



REAR VIEW
 (後視圖)



FRONT VIEW
 (前視圖)



PIN ASSIGNMENT
 REAR VIEW(後視圖)

7	GLUE	EPOXY.	BLACK		
6	HEX NUT	NYLON+GF.	BLACK	1	
5	GASKET	EPDM.	BLACK	1	
4	WAFER	PITCH 2.0mm, Straight Angle. 5P*1ROW.	BLACK	1	
3	PCB	FR4 . Double Side, 1.0mm Thickness.		1	
2	CONNECTOR	USB A Type Female Connector.		1	
1	BODY	USB A Type Female Connector Body. NYLON+GF.	BLACK	1	
No.	PART NAME	DESCRIPTION	COLOR	Q'TY	REMARKS

CÉLION <small>Voire partenaire électronique</small>					
	UNIT: mm	TITLE : USB 2.0 A Type Female C Size Screw Type Cicular Flange Panel 5 Pin Straight Wafer			
SCALE	1:1	P/N: USB2AC-P3C03		DR. Patty	
UNLESS OTHERWISE SPECIFIED TOLERANCES: .X ± 0.25 .XX ± 0.1 .XXX ± 0.05 ANGLE ± 1°		DWG.NO: USB2AC-P3C03		CH. ERIC	
REV. A3	SHEET 1/1			AP.	