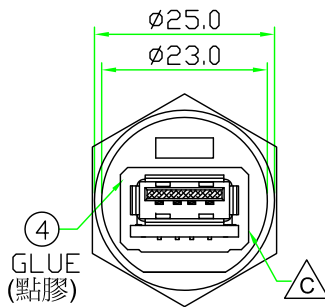


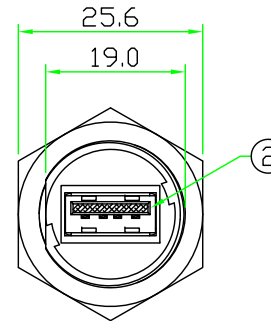
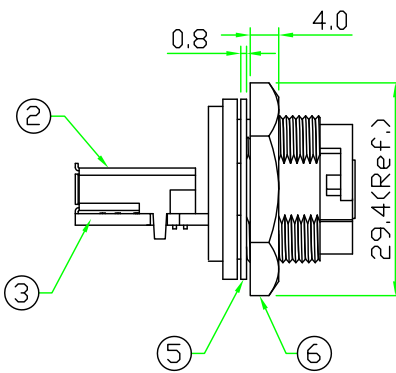
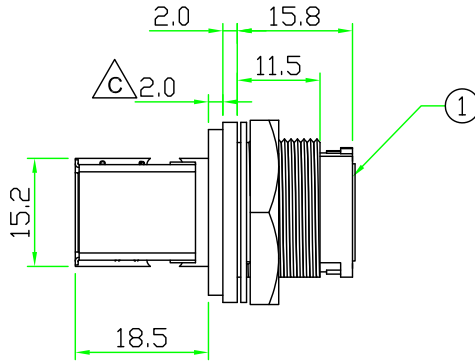
RECOMMENDED
PANEL CUT OUT

RoHS

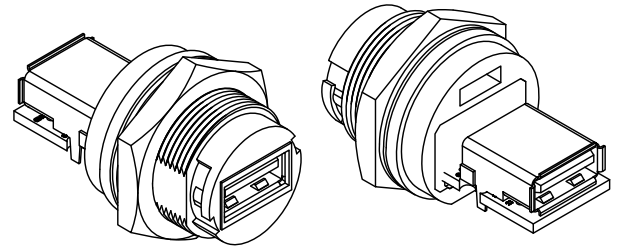
IP66~68



REAR VIEW
(後視圖)

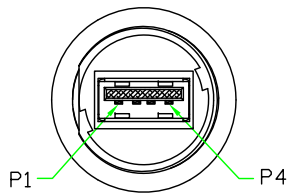


FRONT VIEW
(前視圖)



NOTES:

1. Current Rating: 1A
2. Connector Temperature Range: -25°C to 85°C
3. Contact Resistance: ≤30mΩ
4. Insulation Resistance: ≥100MΩ
5. Breakdown Voltage: ≥AC 500V/1 Minute
6. Panel Thickness Max. 6.0 mm



PIN ASSIGNMENT
FRONT VIEW
(前視圖)

OLD P/N:USB2AC-L3CRJ
(原型號)

| No. | PART NAME | DESCRIPTION | COLOR | Q'TY | REMARKS |
|-----|-----------|---|-------|------|---------|
| 6 | HEX NUT | NYLON+GF. | BLACK | 1 | |
| 5 | GASKET | EPDM. | BLACK | 1 | |
| 4 | GLUE | EPOXY. | BLACK | 1 | |
| 3 | PCB | FR4. Double Size, 1.6mm Thickness | | 1 | |
| 2 | CONNECTOR | USB 2.0 A Type Female Connector. | WHITE | 2 | |
| 1 | BODY | USB A Type Female Connector Body. NYLON+GF. | BLACK | 1 | |

| UNIT: mm | | TITLE : | |
|--|-------|---|-----------|
| SCALE | 1:1 | USB 2.0 A Type Female C Size Lock Type Circular Flange Panel With Right Angle USB 2.0 A Type Female | |
| UNLESS OTHERWISE SPECIFIED TOLERANCES: .x ± 0.5 .xx ± 0.25 .xxx ± 0.1 ANGLE ± 1' | | P/N: | DR. Patty |
| REV. | SHEET | CH. ERIC | |
| C | 1/1 | DWG.NO: | AP. |
| | | USB2AC-L3CSJ | |

