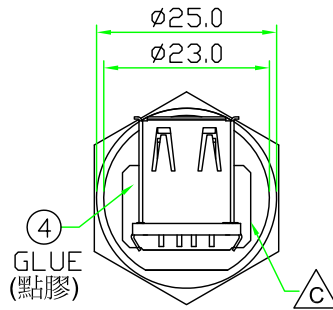
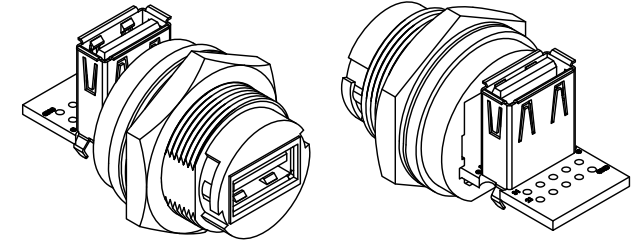
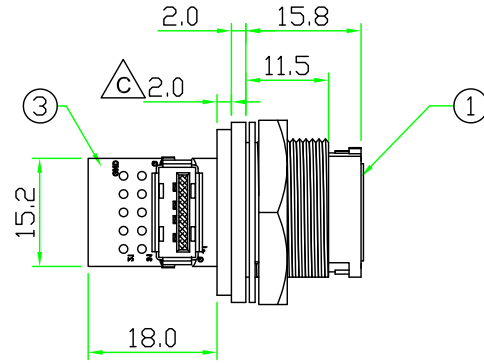


RECOMMENDED
PANEL CUT OUT

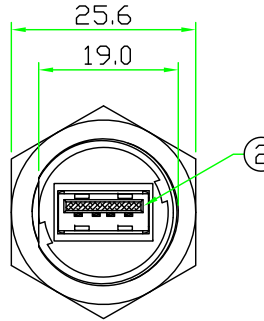
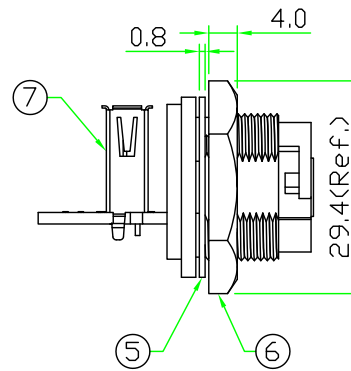
RoHS

IP66~68

REV	DESCRIPTION	DATE
A	ISSUE	Oct/03/2012
B	Change P/N NO.	May/23/2014
C	Change length & rear shape	Oct/05/2015



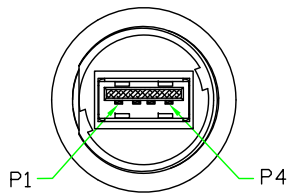
REAR VIEW
(後視圖)



FRONT VIEW
(前視圖)

NOTES:

1. Current Rating: 1A
2. Connector Temperature Range: -25°C to 85°C
3. Contact Resistance: ≤30mΩ
4. Insulation Resistance: ≥100MΩ
5. Breakdown Voltage: ≥AC 500V/1 Minute
6. Panel Thickness Max. 6.0 mm



PIN ASSIGNMENT
FRONT VIEW
(前視圖)

OLD P/N:USB2AC-L3CSJ
(原型号)

7	CONNECTOR	USB 2.0 A Type Female Straight PCB Type.		1	
6	HEX NUT	NYLON+GF.	BLACK	1	
5	GASKET	EPDM.	BLACK	1	
4	GLUE	EPOXY.	BLACK	1	
3	PCB	FR4. Double Size, 1.6mm Thickness		1	
2	CONNECTOR	USB 2.0 A Type Female Connector.	WHITE	1	
1	BODY	USB A Type Female Connector Body. NYLON+GF.	BLACK	1	
No.	PART NAME	DESCRIPTION	COLOR	Q'TY	REMARKS

		TITLE : USB 2.0 A Type Female C Size Lock Type Circular Flange Panel With Straight USB 2.0 A Type Female	
	UNIT: mm	SCALE	1:1
UNLESS OTHERWISE SPECIFIED TOLERANCES: .x ± 0.5 .xx ± 0.25 .xxx ± 0.1 ANGLE ± 1'		P/N:	DR. Patty CH. ERIC
REV. C	SHEET 1/1	DWG.NO:	AP.
		P/N:	USB2AC-L3CRJ
		DWG.NO:	USB2AC-L3CRJ