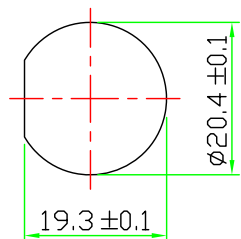


PROPRIETARY AND CONFIDENTIAL
 THE INFORMATION CONTAINED IN THIS DRAWING IS THE SOLE PROPERTY OF HTP ASIA TECHNOLOGY CO., LTD. .
 ANY REPRODUCTION IN PART OR AS A WHOLE WITHOUT THE WRITTEN PERMISSION OF HTP ASIA TECHNOLOGY CO., LTD. IS PROHIBITED.

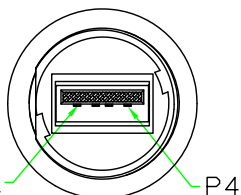
RoHS

IP66~68

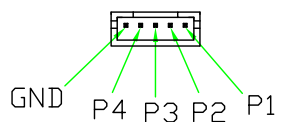
| REV. | DESCRIPTION | DATE |
|------|---------------|-------------|
| A | ISSUE | Jan/10/2013 |
| A1 | Add Note | Oct/01/2014 |
| A2 | Change length | Jan/27/2015 |



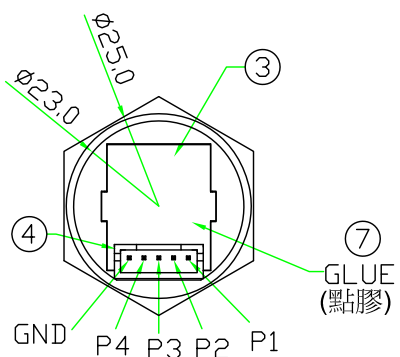
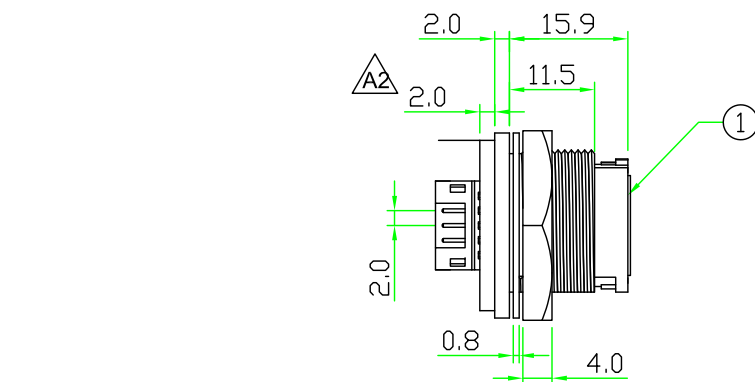
RECOMMENDED
 PANEL CUT OUT



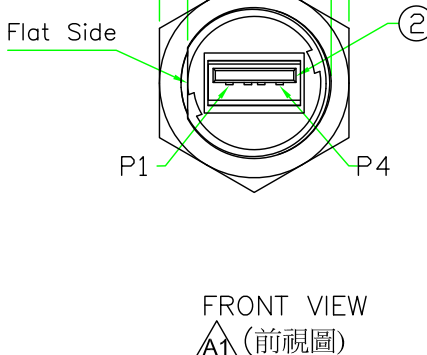
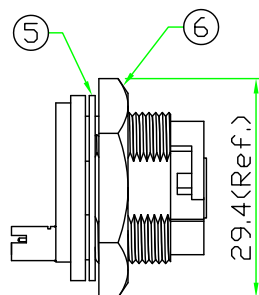
PIN ASSIGNMENT
 FRONT VIEW(前視圖)



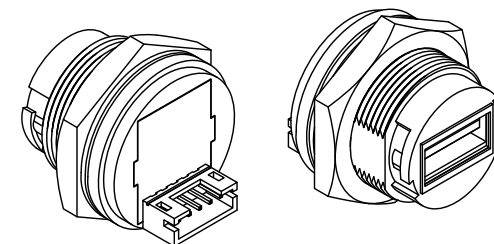
PIN ASSIGNMENT
 REAR VIEW(後視圖)



REAR VIEW
 (後視圖)



FRONT VIEW
 (前視圖)



NOTES:

1. Current Rating: 1A
2. Connector Temperature Range: -25°C to 85°C
3. Contact Resistance: ≤30mΩ
4. Insulation Resistance: ≥100MΩ
5. Breakdown Voltage: ≥AC 500V/1 Minute
6. Panel Thickness Max. 6.0 mm

| 7 | GLUE | EPOXY. | BLACK | | |
|-----|-----------|---|-------|------|---------|
| 6 | HEX NUT | NYLON+GF. | BLACK | 1 | |
| 5 | GASKET | EPDM. | BLACK | 1 | |
| 4 | WAFER | PITCH 2.0mm, Straight Angle. 5P*1ROW. | WHITE | 1 | |
| 3 | PCB | FR4 . Double Side, 1.0mm Thickness. | | 1 | |
| 2 | CONNECTOR | USB A Type Female Connector. | | 1 | |
| 1 | BODY | USB A Type Female Connector Body. NYLON+GF. | BLACK | 1 | |
| No. | PART NAME | DESCRIPTION | COLOR | Q'TY | REMARKS |

| | | | | | |
|---|----------|---|--|-----|-------|
| CÉLION <small>Votre partenaire électronique</small> | | | | | |
| | UNIT: mm | TITLE : USB 2.0 A Type Female C Size Lock Type Circular Flange Panel 5 Pin Straight Wafer | | | |
| SCALE | 1:1 | P/N: USB2AC-L3C03 | | DR. | Patty |
| UNLESS OTHERWISE SPECIFIED TOLERANCES: .X ± 0.25 .XX ± 0.1 .XXX ± 0.05 ANGLE ± 1° | | DWG.NO: USB2AC-L3C03 | | CH. | ERIC |
| REV. | SHEET | | | AP. | |
| A2 | 1/1 | | | | |