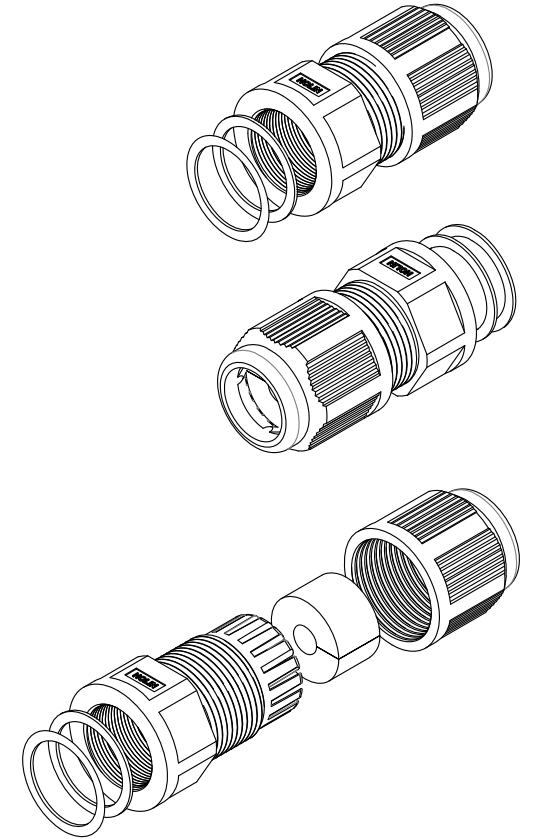
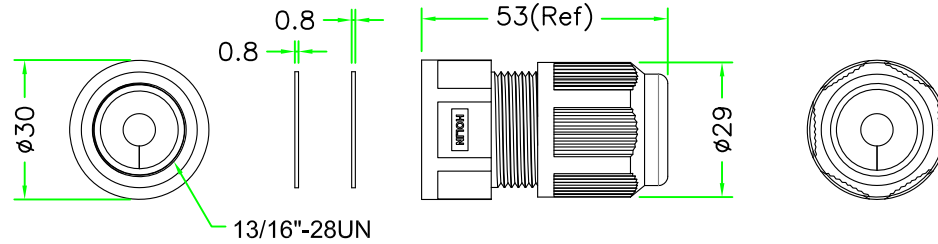
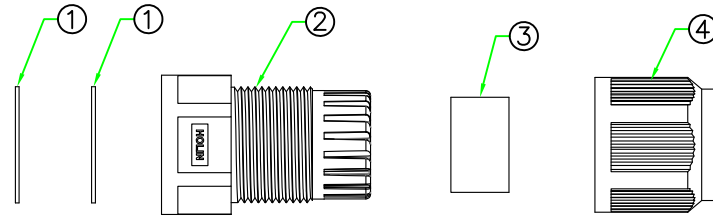
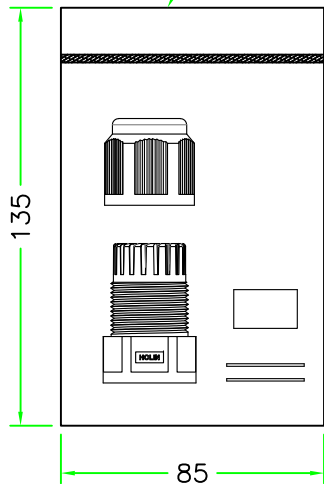


RoHS


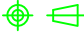
REV.	DESCRIPTION	DATE
A	ISSUE	Aug/26/2021



Packing:  
#4 Zipper PE Bag.



4	CLAMP NUT	NYLON+GF.	BLACK	1	CLAMP-ERJ-01
3	TUBE	RUBBER.	BLACK	1	TUBE-RJ45C-01
2	HOOD	NYLON.	BLACK	1	HOOD-RJ45C-01
1	GASKET	EPDM.	BLACK	2	G-2008-EK01
No.	PART NAME	DESCRIPTION	COLOR	Q'TY	REMARKS

			
	UNIT: mm	<b>TITLE :</b> RJ45 C Size Assembly Type For RJ45 & USB Plug Patch cable	<b>DR.</b> James <b>CH.</b> Eric
<b>SCALE</b>	1:1.5		
<b>UNLESS OTHERWISE SPECIFIED TOLERANCES:</b> .X ± 1.0 .XX ± 0.5 .XXX ± 0.25 ANGLE ± 1°		<b>P/N:</b> RUC-HSA	<b>AP.</b>
<b>REV.</b> A	<b>SHEET</b> 1/1		