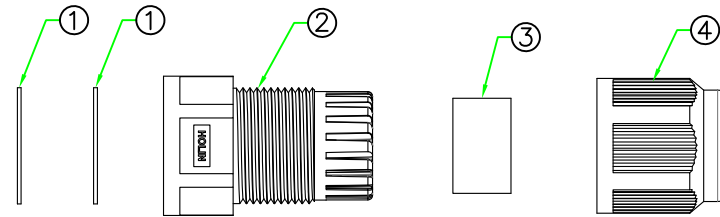
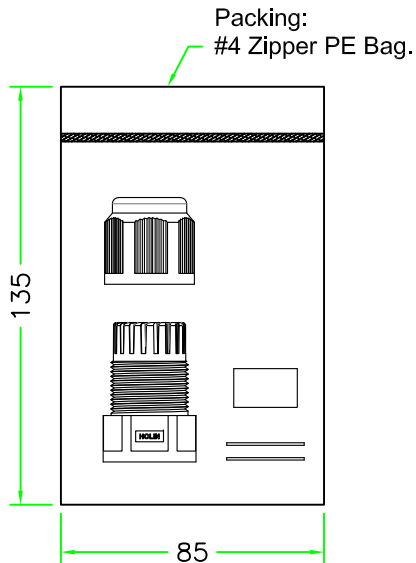
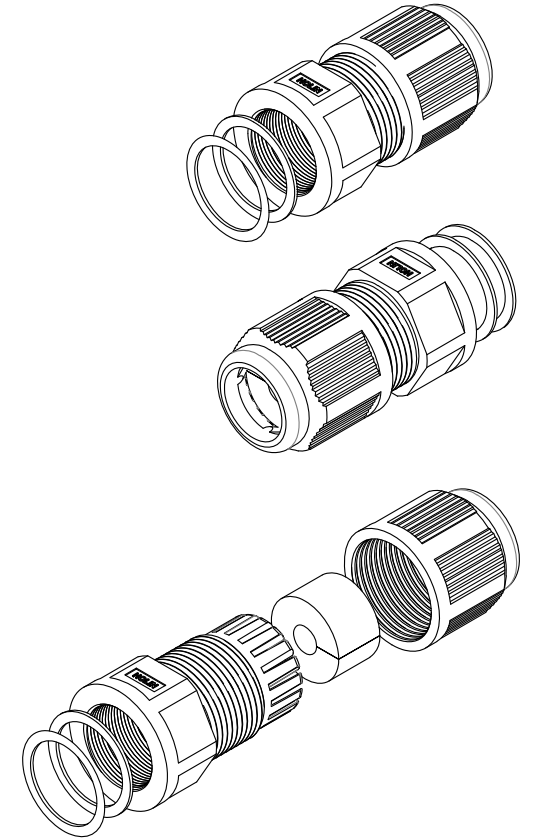
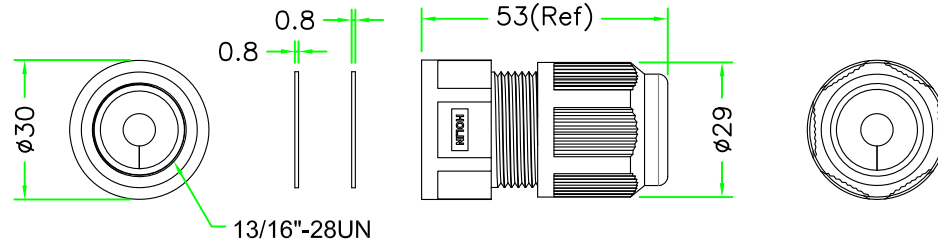

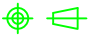


RoHS

REV.	DESCRIPTION	DATE
A	ISSUE	Aug/26/2021



4	CLAMP NUT	NYLON+GF.	BLACK	1	CLAMP-ERJ-01
3	TUBE	RUBBER.	BLACK	1	TUBE-RJ45C-01
2	HOOD	NYLON.	BLACK	1	HOOD-RJ45C-01
1	GASKET	EPDM.	BLACK	2	G-2008-EK01
No.	PART NAME	DESCRIPTION	COLOR	Q'TY	REMARKS

			
	UNIT: mm	TITLE : RJ45 C Size Assembly Type For RJ45 & USB Plug Patch cable	DR. James CH. Eric
SCALE	1:1.5		
UNLESS OTHERWISE SPECIFIED TOLERANCES: .X ± 1.0 .XX ± 0.5 .XXX ± 0.25 ANGLE ± 1°		P/N: RUC-HSA	AP.
REV. A	SHEET 1/1		