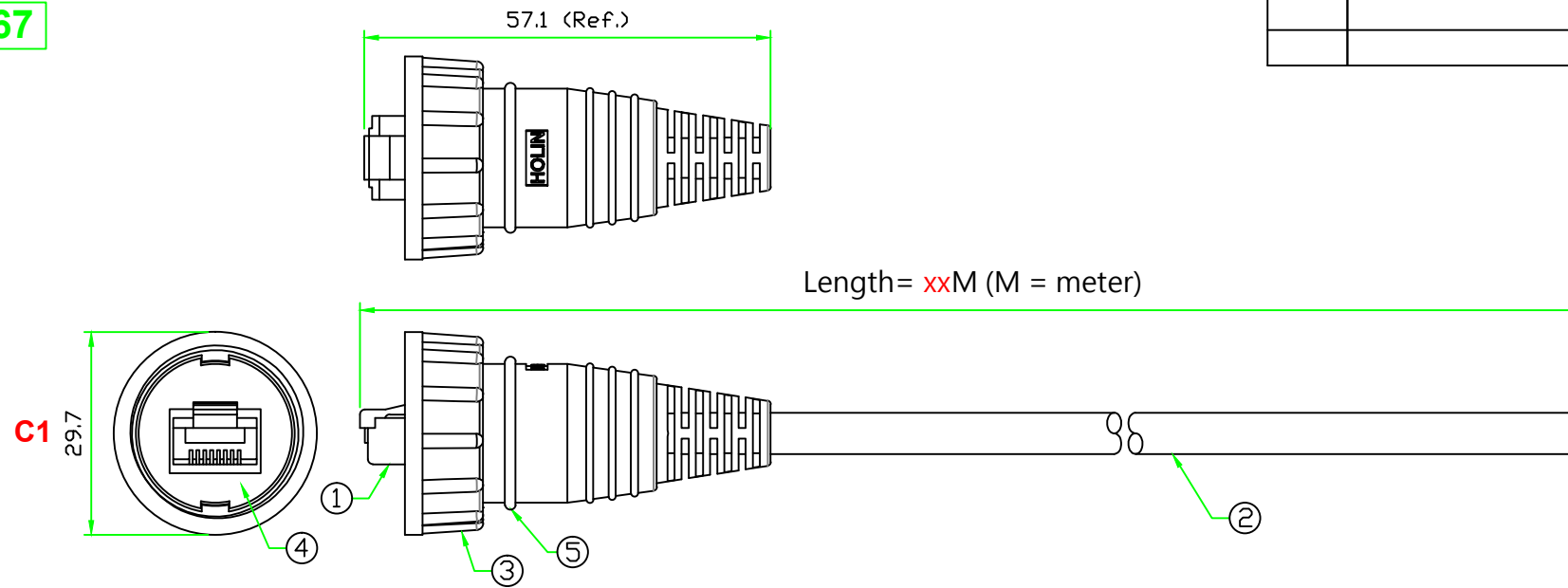


RoHS

IP66~67

REV.	DESCRIPTION	DATE
A	ISSUE	Oct/20/2015



C1

Wiring diagram	
C1	Wire Color
1	Orange/White 橙白
2	Orange 橙
3	Green/White 綠白
4	Blue 藍
5	Blue/White 藍白
6	Green 綠
7	Brown/White 棕白
8	Brown 棕
Shell	Drain Wire 地線

RJ45D-P4SM Pin Assignment Front View (前視圖)

No.	PART NAME	DESCRIPTION	COLOR	Q'TY	REMARKS
5	O-RING	NBR.	BLACK	1	
4	GASKET	EPDM.	BLACK	1	
3	SCREW NUT	NYLON+GF.	BLACK	1	
2	CABLE	CAT5e FTP 24AWG x 4 Pair.	BLACK	1	
1	PLUG	RJ-45 8P8C SHIELDED PLUG.		1	

CÉLION
Votre partenaire électronique

	UNIT: mm	TITLE : RJ45 D-size Over-Molded Connector (Screw Type)
SCALE	1:1	
UNLESS OTHERWISE SPECIFIED TOLERANCES:		P/N: RJ45D-P4SM-xxM
x	± 0.25 xx ± 0.1	
xxx	± 0.05 ANGLE $\pm 1^\circ$	DR. <i>Stanley</i>
REV. A	SHEET 1/1	CH. <i>ERJE</i>
DWG.NO: RJ45D-P4SM-xxM		AP.