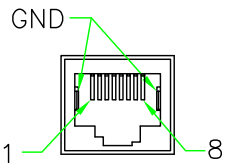
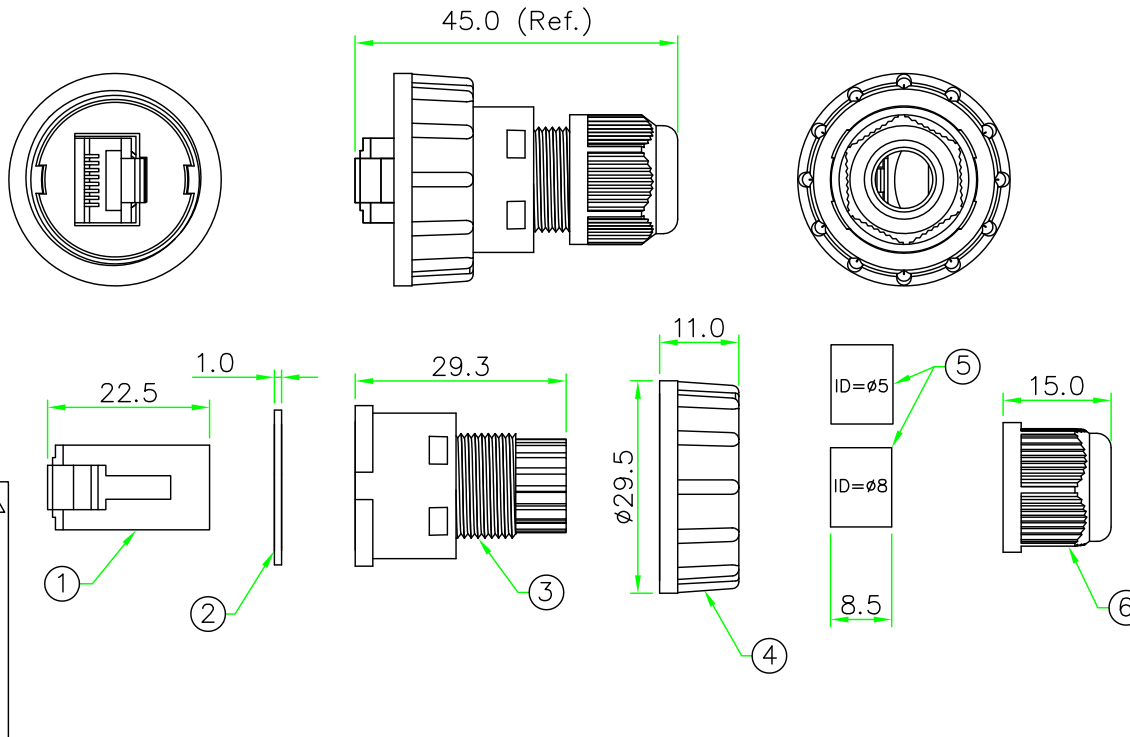
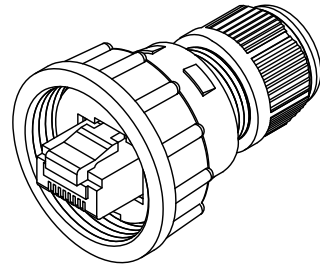


PROPRIETARY AND CONFIDENTIAL
 THE INFORMATION CONTAINED IN THIS DRAWING IS THE SOLE PROPERTY OF HTP ASIA TECHNOLOGY CO., LTD. .
 ANY REPRODUCTION IN PART OR AS A WHOLE WITHOUT THE WRITTEN PERMISSION OF HTP ASIA TECHNOLOGY CO., LTD. IS PROHIBITED.

RoHS
IP66-68



PIN ASSIGNMENT
 FRONT VIEW
 (前視圖)

原型號為:RJ45D-P108SAS
 (OLD NO.)

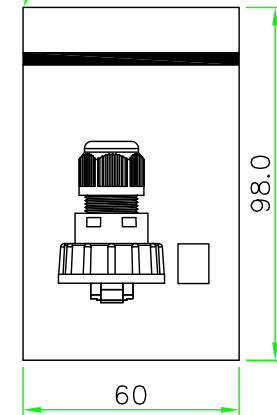
REV.	DESCRIPTION	DATE
A	ISSUE	Jun/06/2014
A1	Add Electrical Characteristics	Dec/08/2015



NOTES:

1. Current Rating: 1A
2. Voltage Rating: 150 VAC Max.
3. Connector Temperature Range: -25°C to 85°C
4. Contact Resistance: ≤30mΩ
5. Insulation Resistance: ≥100MΩ
6. Dielectric Withstanding Voltage:
 1KVrms at 60Hz, 1 minute between adjacent contacts.
 1.5KVrms at 60Hz, 1 minute between shield and contacts.
7. Panel Thickness Max. 4.0

#2 Zipper PE Bag.



No.	PART NAME	DESCRIPTION	COLOR	Q'TY	REMARKS
6	CLAMP NUT	Pressing Screw, NYLON+GF.	BLACK	1	
5	TUBE	Rubber (OD= 5.0 & 8.0mm)	BLACK	2	
4	SCREW NUT	Screw Nut, NYLON+GF.	BLACK	1	
3	SLEEVE	Cable Sleeve, NYLON.	BLACK	1	
2	GASKET	RUBBER	BLACK	1	
1	RJ-45 PLUG	RJ-45 8P8C Shielded Plug.		1	

 UNIT: mm SCALE 1:1	TITLE : RJ45 Plug D Size Screw Type Field Installable Plug
UNLESS OTHERWISE SPECIFIED TOLERANCES: x ±0.5 xx ±0.25 xxx ±0.1 ANGLE ± 1' REV. SHEET	P/N: RJ45D-P4SAS DR. Patty CH. ERIC AP.
A1 1/1	DWG.NO: RJ45D-P4SAS