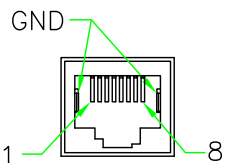
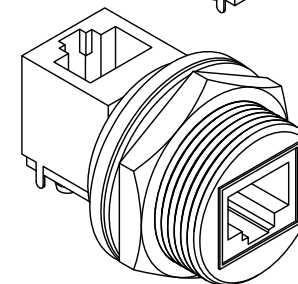
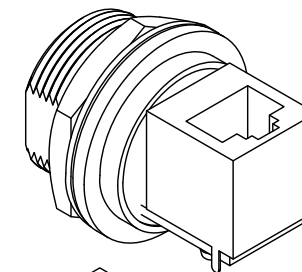
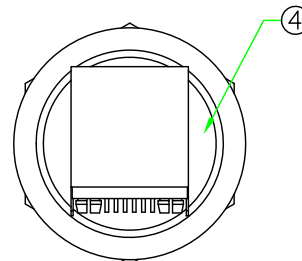
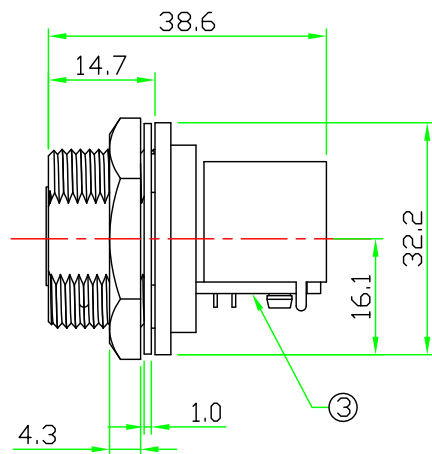
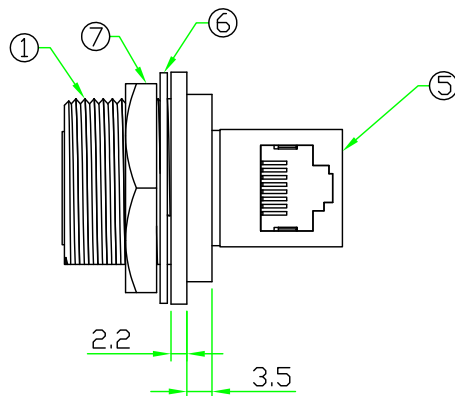
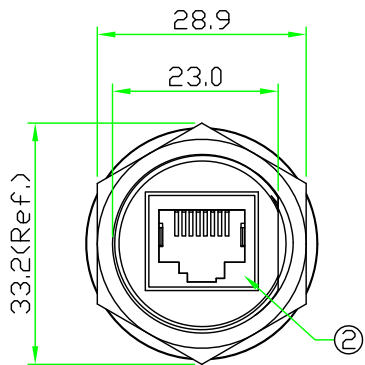


RECOMMENDED
PANEL CUT OUT

RoHS
IP66~68



PIN ASSIGNMENT
FRONT VIEW
(前視圖)

原型號為:RJ45D-PJCSJ
(OLD NO.)

REV	DESCRIPTION	DATE
A	ISSUE	Mar/07/2014
A1	Add Pin assignment	Aug/27/2015

7	HEX NUT	NYLON+GF.	BLACK	1	
6	GASKET	EPDM.	BLACK	1	
5	RJ45 JACK	RJ45 Jack with shield. Straight type.		1	
4	GLUE	EPOXY.	BLACK	1	
3	PCB	FR4, Double side 1.6mm Thickness.		1	
2	RJ45 JACK	RJ45 Jack with shield. Right angle with filter type.		1	
1	CONNECTOR	RJ45 Jack connector body. NYLON+GF.	BLACK	1	
No.	PART NAME	DESCRIPTION	COLOR	Q'TY	REMARKS

		TITLE : RJ45 JACK D Size Panel Connector Rear Mount Screw Type Round Flange With Straight Angle RJ45 Shield Jack	
	UNIT: mm	P/N: RJ45D-P3CRJ	
SCALE	1:1	DR. Patty	
UNLESS OTHERWISE SPECIFIED TOLERANCES: x ±0.5 xx ±0.25 xxx ±0.1 ANGLE ± 1°		CH. ERIC	
REV. A1	SHEET 1/1	DWG.NO: RJ45D-P3CRJ	AP.