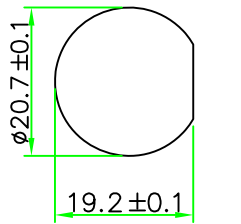
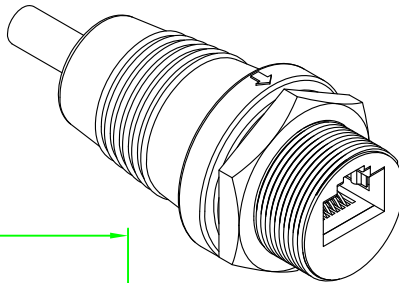
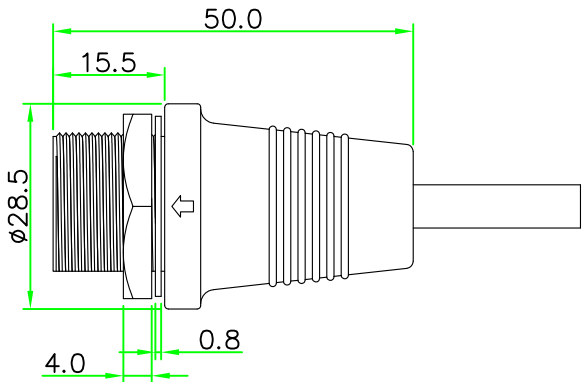


REV.	DESCRIPTION	DATE
A	ISSUE	Aug/19/2015

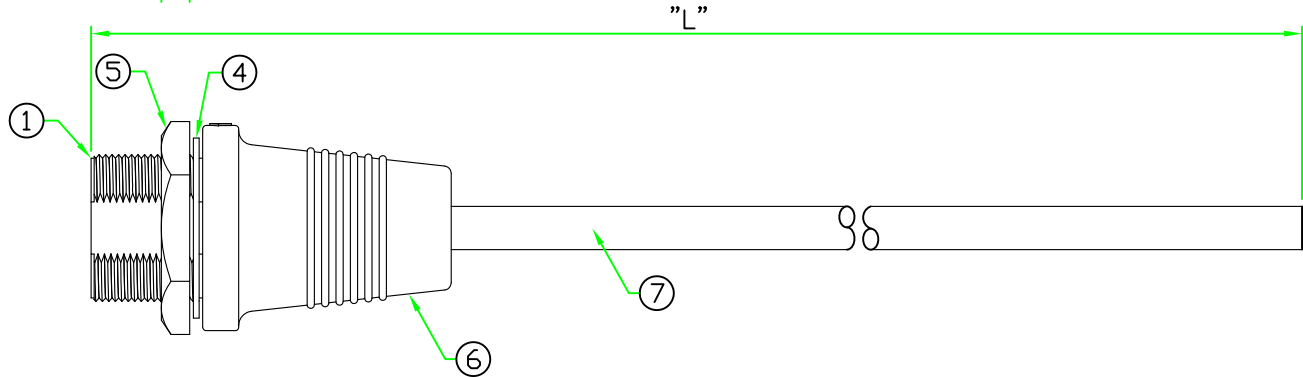
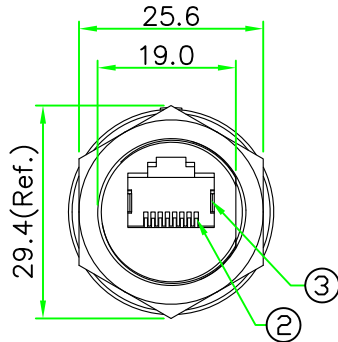


RECOMMENDED
PANEL CUT OUT

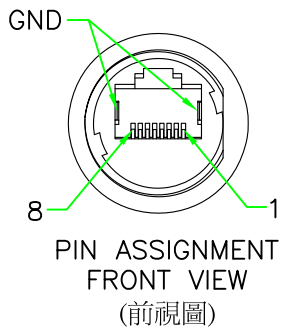


RoHS

IP66

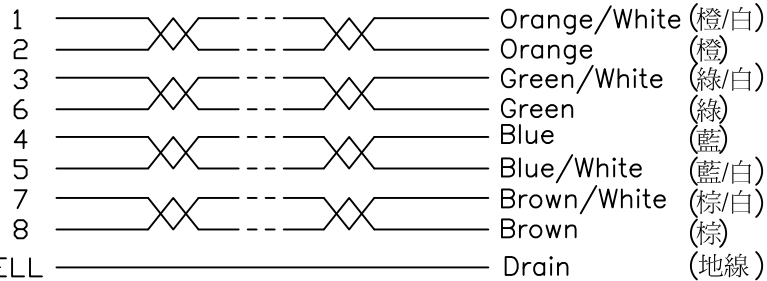


Wiring Diagram



PIN ASSIGNMENT
FRONT VIEW
(前視圖)

RJ45 PLUG



NOTES:

1. Current Rating: 1A
2. Connector Temperature Range: -20°C to 80°C
3. Contact Resistance: ≤30mΩ
4. Insulation Resistance: ≥100MΩ
5. Breakdown Voltage: ≥AC 500V/1 Minute
6. Request Panel Thickness Max. 4.0 mm

No.	PART NAME	DESCRIPTION	COLOR	Q'TY	REMARKS
7	CABLE	CAT. 5E 24AWG x 4P+D, FTP.	BLACK		
6	OVERMOLD	PVC.	BLACK	1	
5	HEX NUT	NYLON+GF.	BLACK	1	
4	GASKET	EPDM.	BLACK	1	
3	GROUND	Ground Contact. SUS304.		2	
2	CONTACT	RJ45 Pin Contact. Phos. Bronze 50u" Gold plating.		8	
1	CONNECTOR	RJ45 Jack Connector Body. NYLON+GF.	BLACK	1	

	UNIT: mm
	SCALE 1:1
TITLE : RJ45 Jack C Size Screw Type Male Connector Female Pin Molded Cable	
P/N: RJ45C-P3CSN-xxM	
DR. Patty	CH. ERIC
REV. A	SHEET 1/1
DWG.NO: RJ45C-P3CSN-xxM	

UNLESS OTHERWISE SPECIFIED TOLERANCES:
 .x ± 0.5 .xx ± 0.25
 .xxx ± 0.1 ANGLE ± 1°