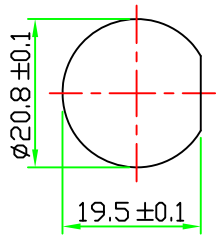
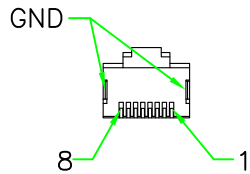


RoHS
IP66~68

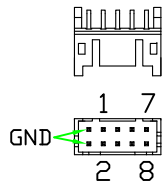
REV.	DESCRIPTION	DATE
A	ISSUE	May/11/2014
A1	Add Note	Dec/11/2014
B	Add Electrical Characteristics & Change design	Feb/02/2016



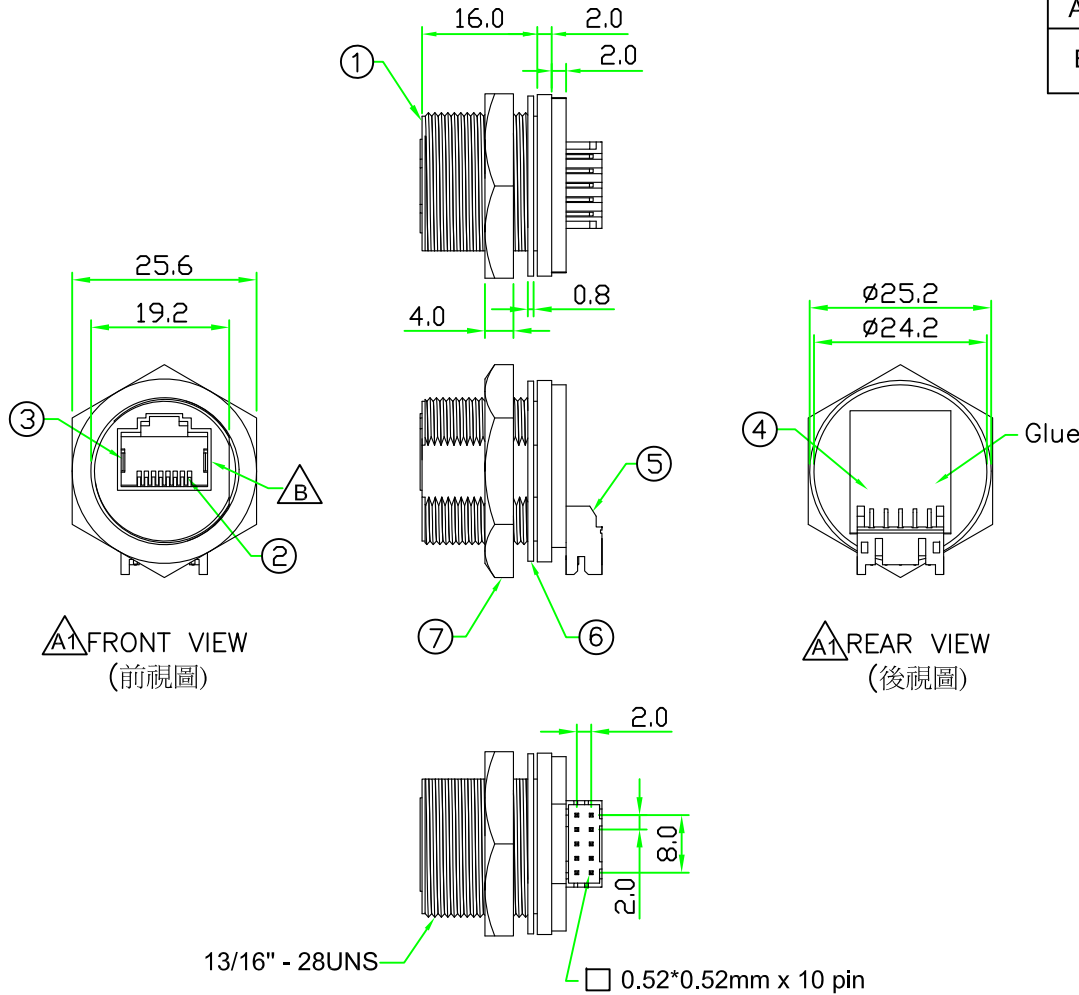
RECOMMENDED
PANEL CUT OUT



Pin Assignment
Front View(前視圖)

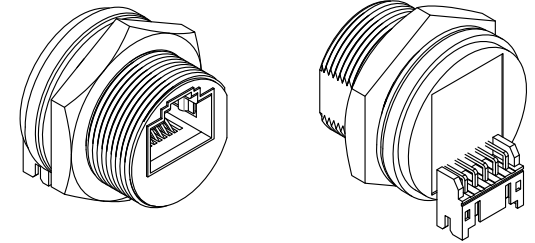


Pin Assignment
Rear View(後視圖)



A1 FRONT VIEW
(前視圖)

A1 REAR VIEW
(後視圖)



NOTES:

- Current Rating: 1A
- Voltage Rating: 150 VAC Max.
- Connector Temperature Range: -25°C to 85°C
- Contact Resistance: ≤30mΩ
- Insulation Resistance: ≥100MΩ
- Dielectric Withstanding Voltage:
1KVrms at 60Hz, 1 minute between adjacent contacts.
1.5KVrms at 60Hz, 1 minute between shield and contacts.
- Request Panel Thickness Max. 4.0

OLD P/N:RJ45C-PJSWRC
(原型號)

No.	PART NAME	DESCRIPTION	COLOR	Q'TY	REMARKS
7	HEX NUT	NYLON+GF.	BLACK	1	
6	GASKET	EPDM.	BLACK	1	
5	CONNECTOR	Right Angle Wafer, Pitch 2.0mm, 5P*2ROW.	NATURE	1	
4	PCB	FR4. Double Side, 1.0mm Thickness.		1	
3	GROUND	Ground Contact. SUS304.		2	
2	CONTACT	RJ45 PIN Contact. Phos. Bronze 50u" Gold Plating.		8	
1	CONNECTOR	RJ45 JACK Connector Insert. NYLON+GF.	BLACK	1	

UNITS: mm		TITLE :	DR. Patty	
SCALE	1:1	RJ45 JACK C Size Panel Connector Screw & Round Flange Type Right Angle Wafer	CH. ERIC	
UNLESS OTHERWISE SPECIFIED TOLERANCES: .x ± 0.5 .xx ± 0.25 .xxx ± 0.1 ANGLE ± 1°		P/N: RJ45C-P3C04	AP.	
REV. B	SHEET 1/1	DWG.NO: RJ45C-P3C04		