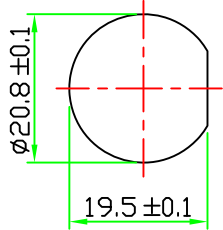
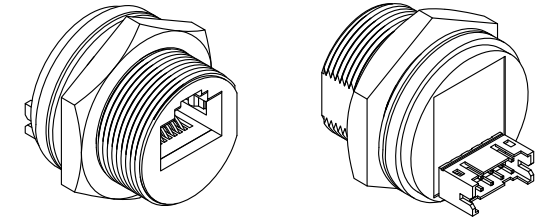
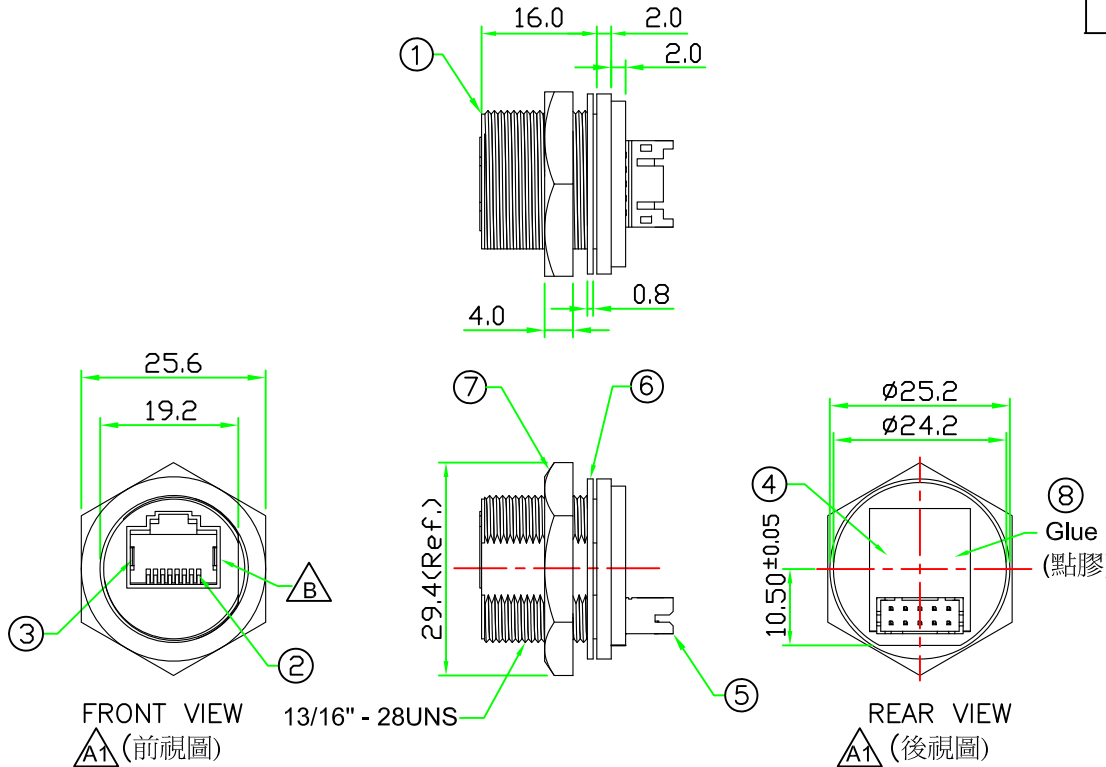
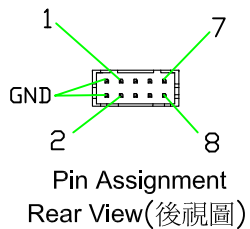
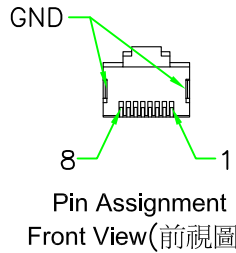


RoHS
IP66~68

REV.	DESCRIPTION	DATE
A	ISSUE	May/07/2014
A1	Add Note	Dec/11/2014
B	Add Electrical Characteristics & Change design	Feb/02/2016



RECOMMENDED
PANEL CUT OUT



NOTES:

1. Current Rating: 1A
2. Voltage Rating: 150 VAC Max.
3. Connector Temperature Range: -25°C to 85°C
4. Contact Resistance: ≤30mΩ
5. Insulation Resistance: ≥100MΩ
6. Dielectric Withstanding Voltage:
1KVrms at 60Hz, 1 minute between adjacent contacts.
1.5KVrms at 60Hz, 1 minute between shield and contacts.
7. Request Panel Thickness Max. 4.0

OLD P/N:RJ45C-PJSWSC
(原型號)

No.	PART NAME	DESCRIPTION	COLOR	Q'TY	REMARKS
8	GLUE	EPOXY.	BLACK		
7	HEX NUT	NYLON+GF.	BLACK	1	
6	GASKET	EPDM.	BLACK	1	
5	WAFER	Pitch 2.0mm 5 PIN x 2 ROW, Straight wafer.	NATURE	1	
4	PCB	FR4. Double Side, 1.0mm Thickness.		1	
3	GROUND	Ground Contact. SUS304.		2	
2	CONTACT	RJ45 PIN Contact. Phos. Bronze 50u" Gold Plating.		8	
1	CONNECTOR	RJ45 JACK Connector INSERT. NYLON+GF.	BLACK	1	

		TITLE: RJ45 Jack C Size Panel Connector Screw Type Round Flange 10P Straight Wafer	
UNIT: mm SCALE 1:1	P/N: RJ45C-P3C03	DR. Patty	CH. ERIC
UNLESS OTHERWISE SPECIFIED TOLERANCES: .X ± 0.5 .XX ± 0.25 .XXX ± 0.1 ANGLE ± 1°	DWG.NO: RJ45C-P3C03	AP.	
REV. B	SHEET 1/1		