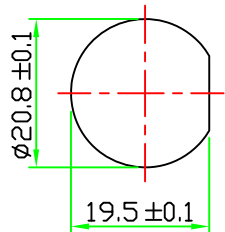
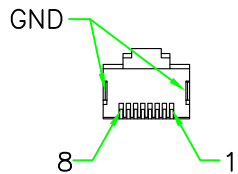


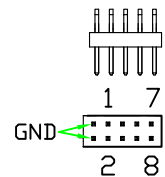
**RoHS**  
**IP66~68**



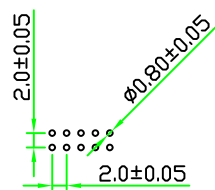
RECOMMENDED  
PANEL CUT OUT



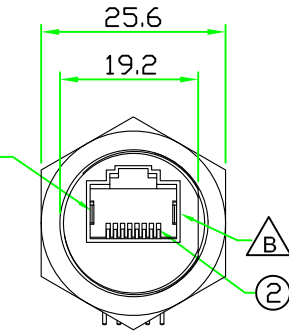
Pin Assignment  
Front View(前視圖)



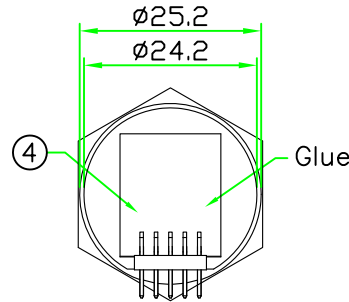
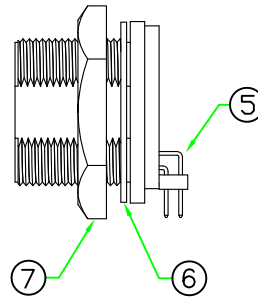
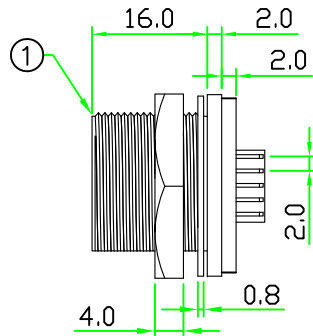
Pin Assignment  
Rear View(後視圖)



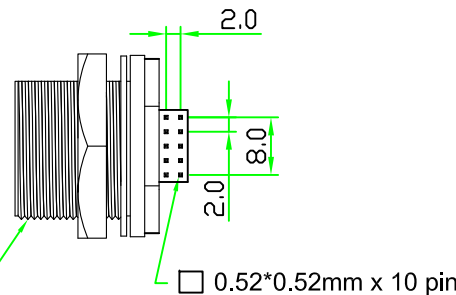
PCB Layout



FRONT VIEW  
(前視圖)

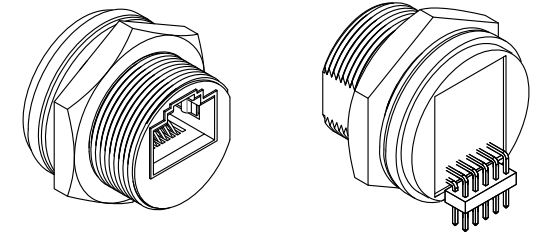


REAR VIEW  
(後視圖)



OLD P/N:RJ45C-PJSRC  
(原型號)

REV.	DESCRIPTION	DATE
A	ISSUE	May/11/2014
A1	Add Note	Dec/11/2014
B	Add Electrical Characteristics & Change design	Feb/02/2016



NOTES:

- Current Rating: 1A
- Voltage Rating: 150 VAC Max.
- Connector Temperature Range: -25°C to 85°C
- Contact Resistance: ≤30mΩ
- Insulation Resistance: ≥100MΩ
- Dielectric Withstanding Voltage:  
1KVrms at 60Hz, 1 minute between adjacent contacts.  
1.5KVrms at 60Hz, 1 minute between shield and contacts.
- Request Panel Thickness Max. 4.0

No.	PART NAME	DESCRIPTION	COLOR	Q'TY	REMARKS
7	HEX NUT	NYLON+GF.	BLACK	1	
6	GASKET	EPDM.	BLACK	1	
5	CONNECTOR	R/A Pin Header, Pitch 2.0mm, 5P*2ROW.	NATURE	1	
4	PCB	FR4. Double Side, 1.0mm Thickness.		1	
3	GROUND	Ground Contact. SUS304.		2	
2	CONTACT	RJ45 PIN Contact. Phos. Bronze 50u" Gold Plating.		8	
1	CONNECTOR	RJ45 JACK Connector Insert. NYLON+GF.	BLACK	1	

	UNIT: mm	TITLE : RJ45 JACK C Size Panel Connector Screw Type Round Flange 10P Right Angle Pin Header			
	SCALE: 1:1				
UNLESS OTHERWISE SPECIFIED TOLERANCES:		P/N: RJ45C-P3C02	DR. Patty		
.x ± 0.5 .xx ± 0.25	CH. ERIC				
.xxx ± 0.1 ANGLE ± 1'	ANGLE ± 1'	DWG.NO: RJ45C-P3C02	AP.		
REV. B	SHEET 1/1				