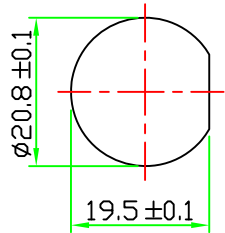
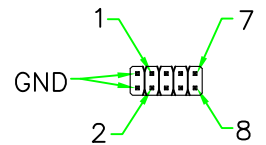
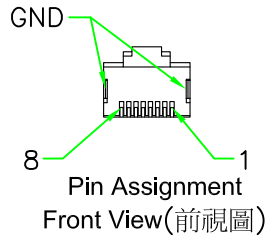


PROPRIETARY AND CONFIDENTIAL  
 THE INFORMATION CONTAINED IN THIS DRAWING IS THE SOLE PROPERTY OF HTP ASIA TECHNOLOGY CO., LTD. .  
 ANY REPRODUCTION IN PART OR AS A WHOLE WITHOUT THE WRITTEN PERMISSION OF HTP ASIA TECHNOLOGY CO., LTD. IS PROHIBITED.

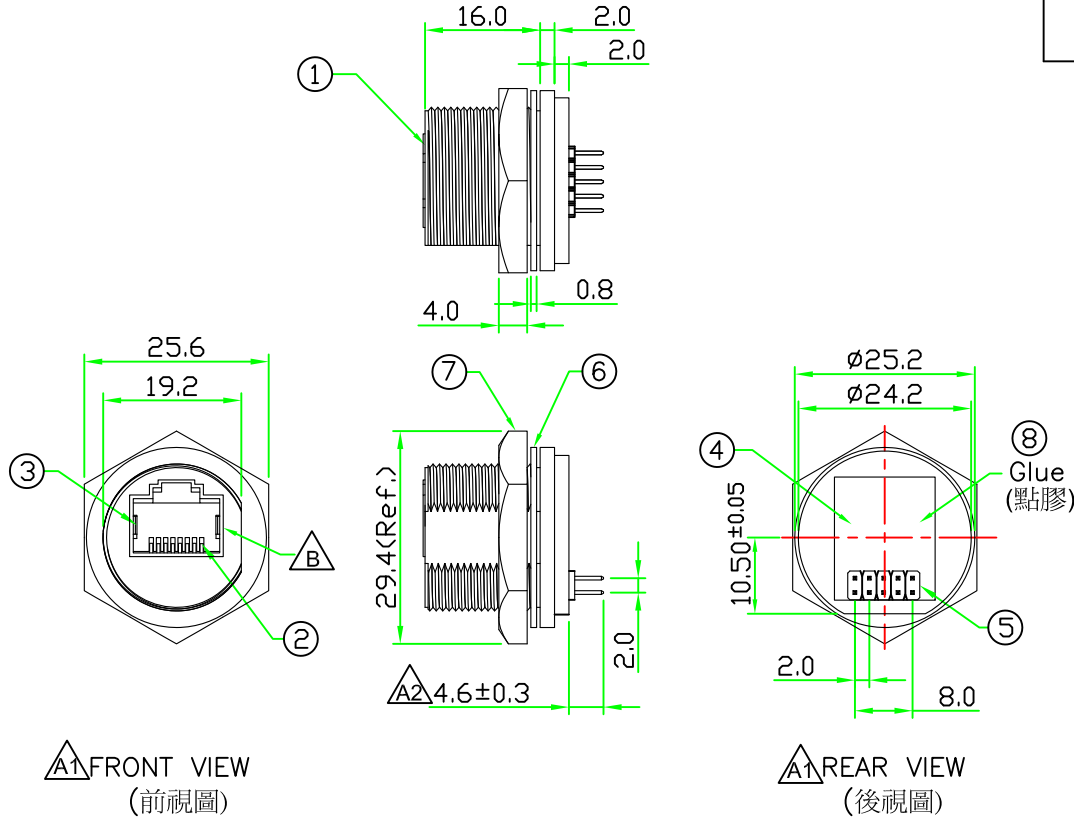
**RoHS**  
**IP66~68**



RECOMMENDED  
 PANEL CUT OUT

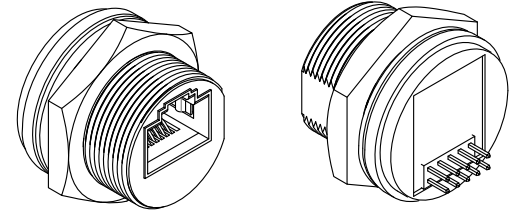


Pin Assignment  
 Rear View (後視圖)



FRONT VIEW  
 (前視圖)

REAR VIEW  
 (後視圖)



NOTES:

1. Current Rating: 1A
2. Voltage Rating: 150 VAC Max.
3. Connector Temperature Range: -25°C to 85°C
4. Contact Resistance:  $\leq 30m\Omega$
5. Insulation Resistance:  $\geq 100M\Omega$
6. Dielectric Withstanding Voltage:  
 1KVrms at 60Hz, 1 minute between adjacent contacts.  
 1.5KVrms at 60Hz, 1 minute between shield and contacts.
7. Request Panel Thickness Max. 4.0

REV.	DESCRIPTION	DATE
A	ISSUE	Jan/10/2013
A1	Add Note	Dec/09/2014
A2	Correct dimension	Jul/28/2015
B	Add Electrical Characteristics & Change design	Feb/02/2016

No.	PART NAME	DESCRIPTION	COLOR	Q'TY	REMARKS
8	GLUE	EPOXY.	BLACK		
7	HEX NUT	NYLON+GF.	BLACK	1	
6	GASKET	EPDM.	BLACK	1	
5	CONNECTOR	Pin Header, Pitch 2.0mm, 5P*2ROW.	BLACK	1	
4	PCB	FR4. Double Side, 1.0mm Thickness.		1	
3	GROUND	Ground Contact. SUS304.		2	
2	CONTACT	RJ45 PIN Contact. Phos. Bronze 50u" Gold Plating.		8	
1	CONNECTOR	RJ45 JACK Connector Insert. NYLON+GF.	BLACK	1	



UNIT: mm	TITLE :	RJ45 Jack C Size Panel Connector Screw Type Round Flange Straight Pin Header	
SCALE 1:1	P/N:	RJ45C-P3C01	DR. Patty
UNLESS OTHERWISE SPECIFIED TOLERANCES: .x ± 0.5 .xx ± 0.25 .xxx ± 0.1 ANGLE ± 1°	DWG.NO:	RJ45C-P3C01	CH. ERIC
REV. B	SHEET 1/1		AP.