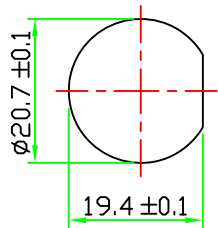


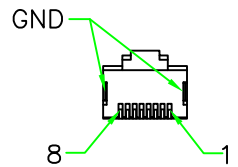
PROPRIETARY AND CONFIDENTIAL
 THE INFORMATION CONTAINED IN THIS DRAWING IS THE SOLE PROPERTY OF HTP ASIA TECHNOLOGY CO., LTD. .
 ANY REPRODUCTION IN PART OR AS A WHOLE WITHOUT THE WRITTEN PERMISSION OF HTP ASIA TECHNOLOGY CO., LTD. IS PROHIBITED.

RoHS

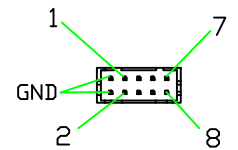
IP66~67



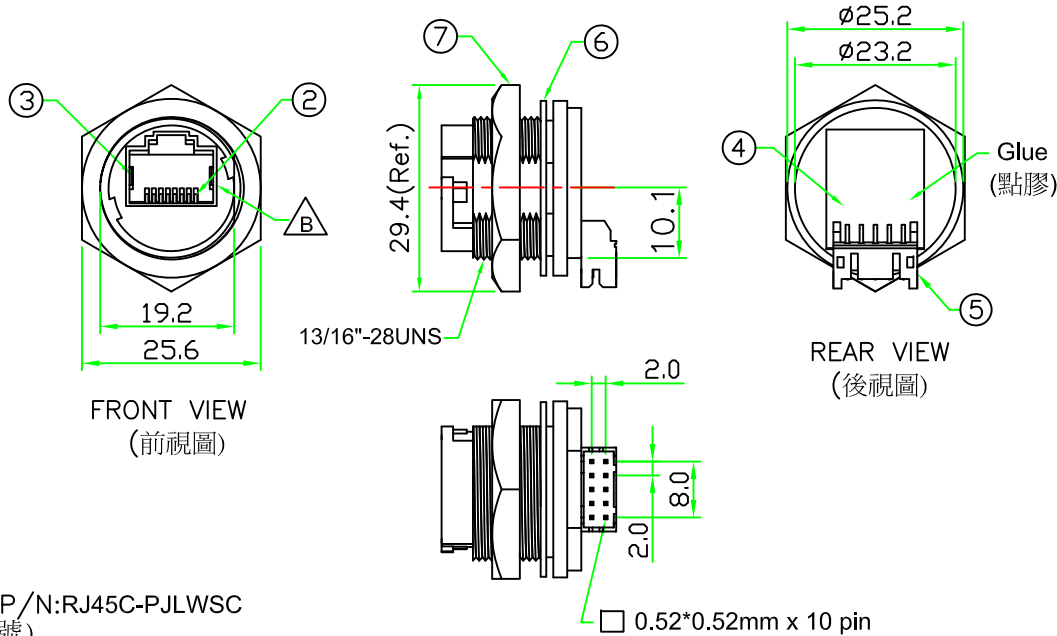
RECOMMENDED
 PANEL CUT OUT



PIN ASSIGNMENT
 FRONT VIEW(前視圖)

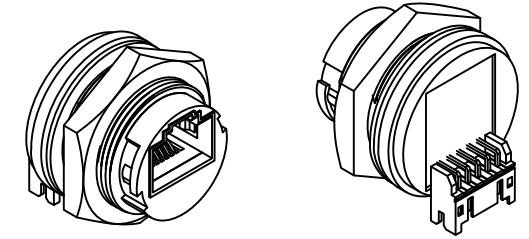


PIN ASSIGNMENT
 REAR VIEW(後視圖)



OLD P/N:RJ45C-PJLWSC
 (原型號)

REV.	DESCRIPTION	DATE
A	ISSUE	Mar/07/2014
B	Add Electrical Characteristics & Change design	Feb/05/2016



△B

NOTES:

1. Current Rating: 1A
2. Voltage Rating: 150 VAC Max.
3. Connector Temperature Range: -25°C to 85°C
4. Contact Resistance: ≤30mΩ
5. Insulation Resistance: ≥100MΩ
6. Panel Thickness Max. 4.0mm

No.	PART NAME	DESCRIPTION	COLOR	Q'TY	REMARKS
7	HEX NUT	NYLON+GF.	BLACK	1	
6	GASKET	EPDM.	BLACK	1	
5	WAFER	Right angle wafer, PITCH 2.0mm, 5P*2ROW.	NATURE	1	
4	PCB	FR4. Double Side, 1.0mm Thickness.		1	
3	GROUND	Ground Contact. SUS304.		2	
2	CONTACT	RJ45 Pin Contact. Phos. Bronze 50u" gold plating.		8	
1	CONNECTOR	RJ45 Jack Connector Body. NYLON+GF.	BLACK	1	

UNIT: mm		TITLE :	
SCALE	1:1	RJ45 Jack C Size Panel Connector Lock Type Round Flange Right Angle Wafer	
UNLESS OTHERWISE SPECIFIED TOLERANCES: .x ± 0.5 .xx ± 0.25 .xxx ± 0.1 ANGLE ± 1°		P/N:	RJ45C-L3C04
REV.	SHEET	DWG.NO:	RJ45C-L3C04
B	1/1	DR.	Patty
		CH.	ERIC
		AP.	