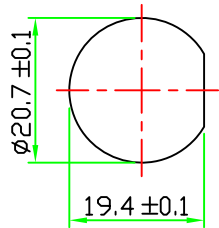


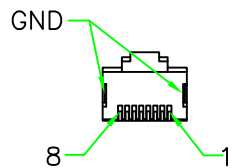
PROPRIETARY AND CONFIDENTIAL
 THE INFORMATION CONTAINED IN THIS DRAWING IS THE SOLE PROPERTY OF HTP ASIA TECHNOLOGY CO., LTD. .
 ANY REPRODUCTION IN PART OR AS A WHOLE WITHOUT THE WRITTEN PERMISSION OF HTP ASIA TECHNOLOGY CO., LTD. IS PROHIBITED.

RoHS

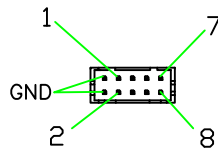
IP66~67



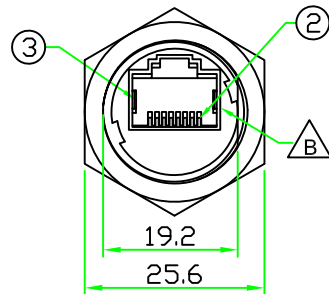
RECOMMENDED
 PANEL CUT OUT



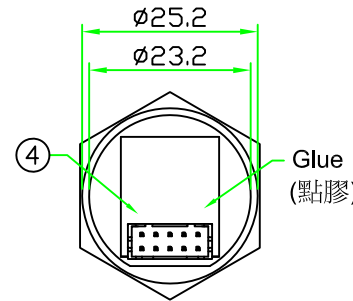
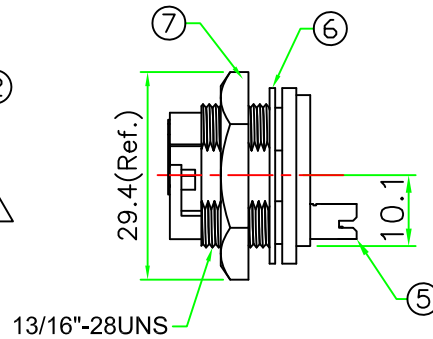
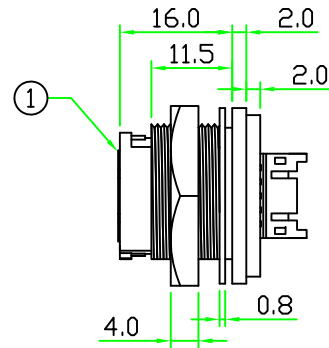
PIN ASSIGNMENT
 FRONT VIEW(前視圖)



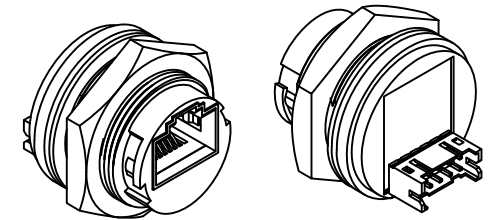
PIN ASSIGNMENT
 REAR VIEW(後視圖)



FRONT VIEW
 (前視圖)



REAR VIEW
 (後視圖)



NOTES:

1. Current Rating: 1A
2. Voltage Rating : 150VAC Max.
3. Connector Temperature Range: -25°C to 85°C
4. Contact Resistance: ≤30mΩ
5. Insulation Resistance: ≥100MΩ
6. Panel Thickness Max. 4.0mm

OLD P/N:RJ45C-PJLWSC
 (原型號)

No.	PART NAME	DESCRIPTION	COLOR	Q'TY	REMARKS
7	HEX NUT	NYLON+GF.	BLACK	1	
6	GASKET	EPDM.	BLACK	1	
5	WAFER	Pitch 2.0mm 5 PIN x 2 ROW, Straight wafer.	NATURE	1	
4	PCB	FR4. Double Side, 1.0mm Thickness.		1	
3	GROUND	Ground Contact. SUS304.		2	
2	CONTACT	RJ45 Pin Contact. Phos. Bronze 50u" gold plating.		8	
1	CONNECTOR	RJ45 Jack Connector Body. NYLON+GF.	BLACK	1	

		UNIT: mm	TITLE : RJ45 Jack C Size Panel Connector Lock Type Round Flange 10P Straight Wafer		
SCALE		1:1	P/N: RJ45C-L3C03		
UNLESS OTHERWISE SPECIFIED TOLERANCES:		.x ± 0.5 .xx ± 0.25		DR. Patty	
.xxx ± 0.1 ANGLE ± 1°		REV. B		CH. ERIC	
SHEET		1/1		AP.	
DWG.NO:		RJ45C-L3C03			