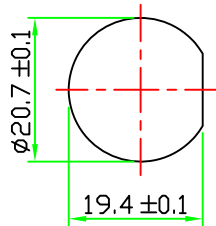


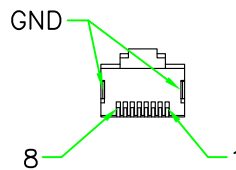
PROPRIETARY AND CONFIDENTIAL
 THE INFORMATION CONTAINED IN THIS DRAWING IS THE SOLE PROPERTY OF HTP ASIA TECHNOLOGY CO., LTD. .
 ANY REPRODUCTION IN PART OR AS A WHOLE WITHOUT THE WRITTEN PERMISSION OF HTP ASIA TECHNOLOGY CO., LTD. IS PROHIBITED.

RoHS

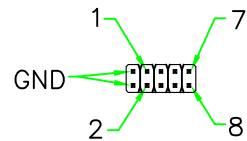
IP66~67



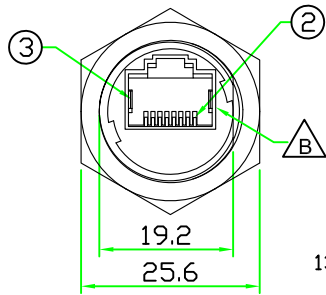
RECOMMENDED
 PANEL CUT OUT



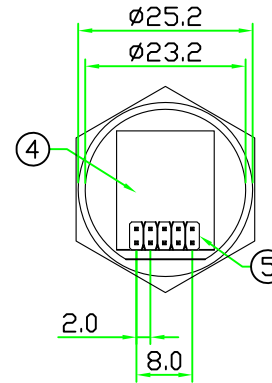
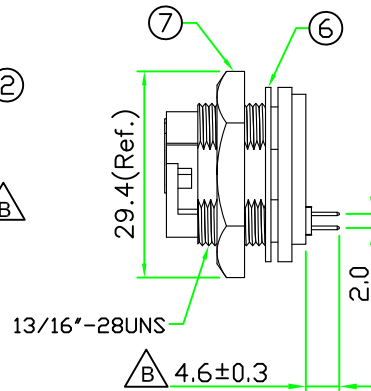
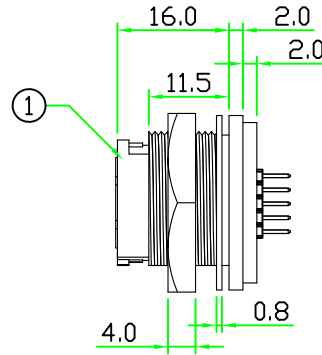
PIN ASSIGNMENT
 FRONT VIEW(前視圖)



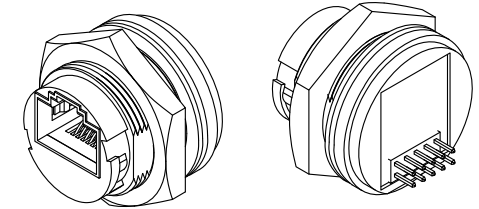
PIN ASSIGNMENT
 REAR VIEW(後視圖)



FRONT VIEW
 (前視圖)



REAR VIEW
 (後視圖)



NOTES:

1. Current Rating: 1A
2. Voltage Rating: 150 VAC Max.
3. Connector Temperature Range: -25°C to 85°C
4. Contact Resistance: ≤30mΩ
5. Insulation Resistance: ≥100MΩ
6. Panel Thickness Max. 4.0mm

OLD P/N:RJ45C-PJLSC
 (原型號)

No.	PART NAME	DESCRIPTION	COLOR	Q'TY	REMARKS
7	HEX NUT	NYLON+GF.	BLACK	1	
6	GASKET	EPDM.	BLACK	1	
5	CONNECTOR	Pin Header, PITCH 2.0mm, 5P*2ROW.	BLACK	1	
4	PCB	FR4. Double Side, 1.0mm Thickness.		1	
3	GROUND	Ground Contact. SUS304.		2	
2	CONTACT	RJ45 Pin Contact. Phos. Bronze 50u" gold plating.		8	
1	CONNECTOR	RJ45 Jack Connector Body. NYLON+GF.	BLACK	1	

UNLESS OTHERWISE SPECIFIED TOLERANCES:		TITLE :	P/N:	DR.
x ± 0.5	.xx ± 0.25			
.xxx ± 0.1	ANGLE ± 1'	SCALE	DWG.NO:	CH. ERIC
REV.	SHEET	UNIT: mm	RJ45C-L3C01	AP.
B	1/1	1:1		

