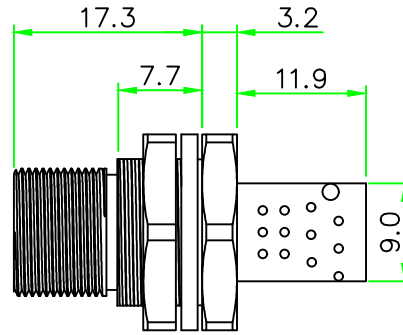


Recommended Panel Cut Out

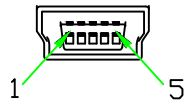
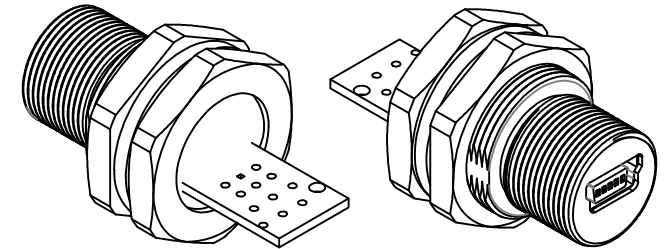
RoHS

IP66~68

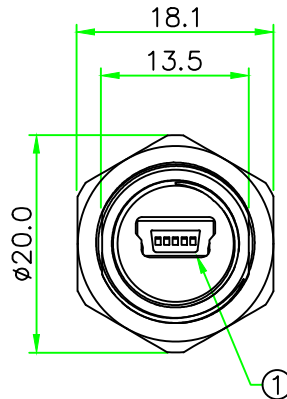
REV.	DESCRIPTION	DATE
A	ISSUE	Mar/23/2018



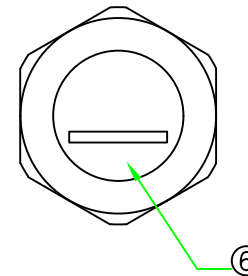
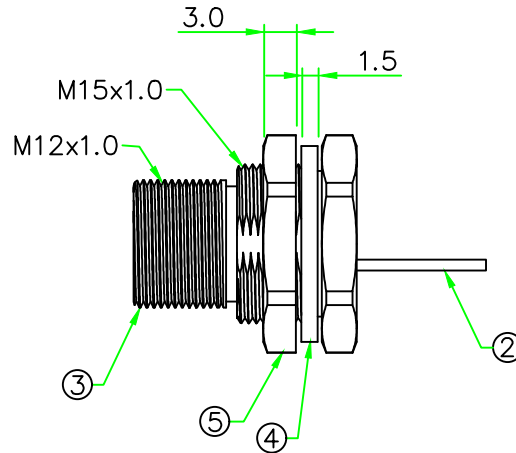
Top View  
(上視圖)



Pin Assignment Front View  
(前視圖)

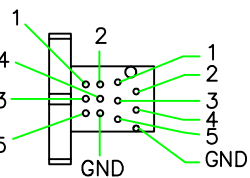


Front View  
(前視圖)



Specification:

1. Current rating : 1A Max.
2. Dielectric withstanding voltage: 100V(AC) for 1 minute.
3. Contact resistance : 50mΩ Max.
4. Insulation resistance : 100mΩ Min.
5. Temperature range: -20°C ~ +60°C.



Pin Assignment Top View(上視圖)

No.	PART NAME	DESCRIPTION	COLOR	Q'TY	REMARKS
6	GLUE	EPOXY.	BLACK	1	
5	HEX NUT	NYLON+GF.	BLACK	1	
4	GASKET	EPDM.	BLACK	1	
3	HOUSING	NYLON+GF.	BLACK	1	
2	PCB	Double Side PCB.		1	
1	CONNECTOR	Mini USB B Type Female Connector.	BLACK	1	

		<b>TITLE</b> Mini USB B Type 5P Female Connector All Plastic Rear Mount Hex Flange With Bare PCB	
	UNIT: mm	<b>P/N:</b> MUB-P3H10	<b>DR.</b> Stanley <b>CH.</b> ERIC
<b>SCALE</b>	1.5:1		
UNLESS OTHERWISE SPECIFIED TOLERANCES: .x ± 0.5 .xx ± 0.25 .xxx ± 0.1 ANGLE ± 1°		<b>DWG.NO:</b> MUB-P3H10	<b>AP.</b>
<b>REV.</b> A	<b>SHEET</b> 1/1		