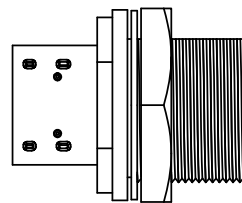
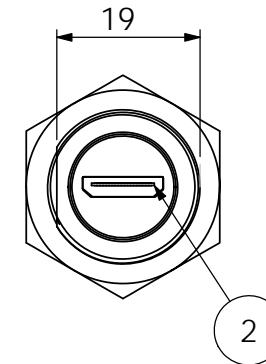
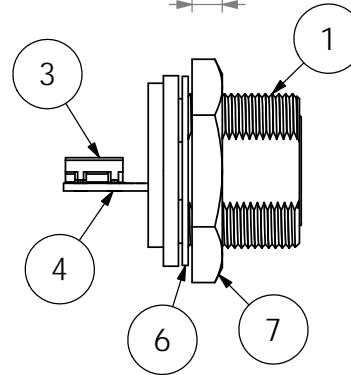
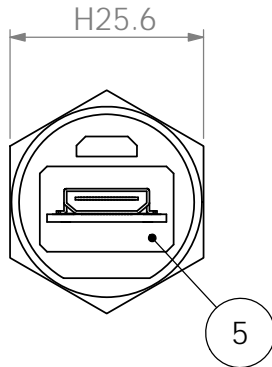
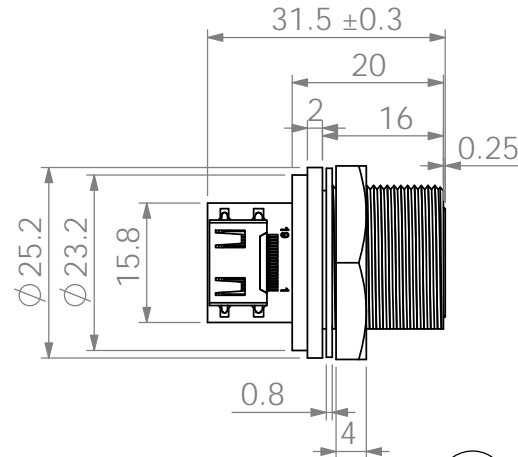
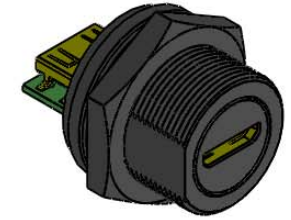
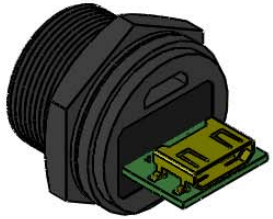


PROPRIETARY AND CONFIDENTIAL:

THE INFORMATION CONTAINED IN THIS DRAWING IS THE SOLE PROPERTY OF HTP ASIA TECHNOLOGY CO., LTD. .
 ANY REPRODUCTION IN PART OR AS A WHOLE WITHOUT THE WRITTEN PERMISSION OF HTP ASIA TECHNOLOGY CO., LTD. IS PROHIBITED.



Material:

1. Connector Insert : Nylon+GF. Black.
2. HDMI C Type Jack SMT Side Entry Connector.
3. HDMI C Type Jack SMT Side Entry Connector.
4. PCB : FR4. 1.0mm. 4 Layer.
5. Glue : Black.
6. Gasket : EPDM. Black.
7. Hex Nut : Nylon+GF. Black.



NAME	SIGNATURE	DATE
Jack	<i>Jack</i>	Apr/05/2017
Nick	<i>Nick</i>	Apr/05/2017

UNLESS OTHERWISE SPECIFIED:
 DIMENSIONS ARE IN MILLIMETERS
 SURFACE FINISH:
 TOLERANCES: x ± 0.25 . xx ± 0.1
 xxx ± 0.05
 ANGULAR: ± 1

TITLE:
**C size HDMI C Type Female Connector
 Rear Mount Circular Flange
 Panel Connector**

DWG NO. **HDMICC-P3CSJ** Rev. **A**