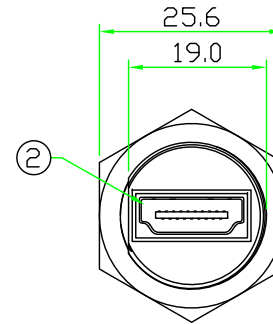
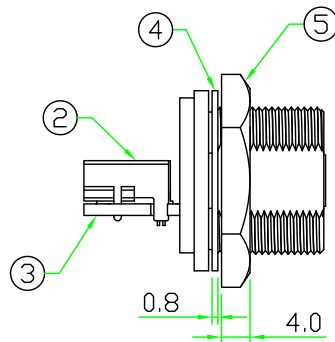
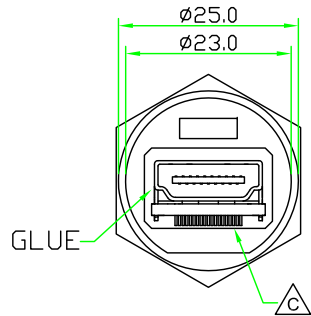
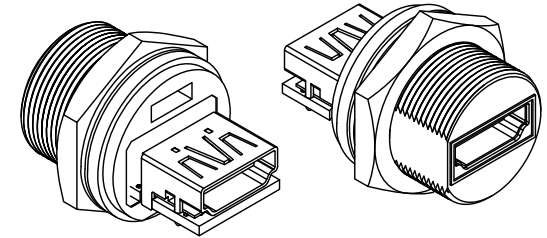
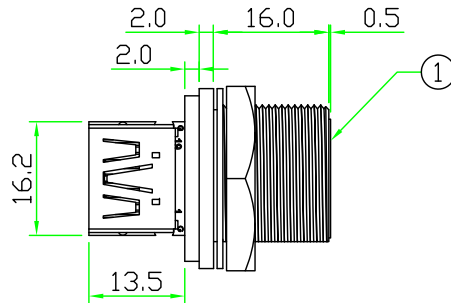


RECOMMEND
PANEL CUT OUT

RoHS

IP66-68

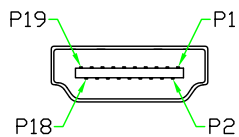
HDMI
HIGH-DEFINITION MULTIMEDIA INTERFACE



FRONT VIEW
(前視圖)

NOTES:

- ELECTRICAL CHARACTERISTICS:
CURRENT RATING: 0.5A
CONNECTOR TEMPERATURE RANGE: -25°C TO +85°C
DIELECTRIC WITHSTANDING VOLTAGE:
500V AC FOR ONE MINUTE
- PANEL THICKNESS MAX. 6.0mm



PIN ASSIGNMENT
FRONT VIEW
(前視圖)

OLD P/N:HDMIAC-P3CRJ
(原型號)

| No. | PART NAME | DESCRIPTION | COLOR | Q'TY | REMARKS |
|-----|-----------|--|-------|------|---------|
| 5 | HEX NUT | Nylon+GF. | BLACK | 1 | |
| 4 | GASKET | EPDM. | BLACK | 1 | |
| 3 | PCB | FR4 . Double Side, 1.6mm Thickness. | | 1 | |
| 2 | CONNECTOR | HDMI A Type Female S/T PCB Connector. | | 2 | |
| 1 | BODY | HDMI A Type Female Connector Body. Nylon+GF. | BLACK | 1 | |

| | | TITLE : HDMI A Type Female C Size Screw Type Circular Flange Panel With HDMI A Type Female | |
|---|-----------|--|-----------|
| UNIT: mm | SCALE 1:1 | P/N: HDMIAC-P3CSJ | DR. Patty |
| UNLESS OTHERWISE SPECIFIED TOLERANCES: x ± 0.5 xx ± 0.25 xxx ± 0.1 ANGLE ± 1° | | | CH. ERIC |
| REV. C1 | SHEET 1/1 | DWG.NO: HDMIAC-P3CSJ | AP. |