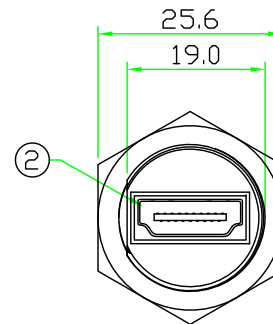
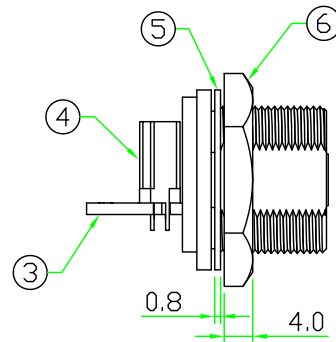
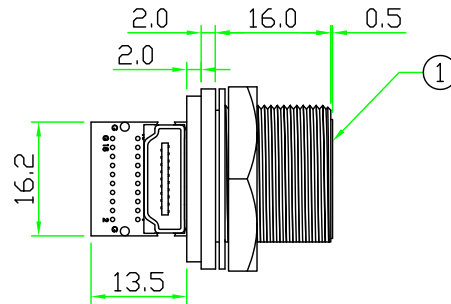
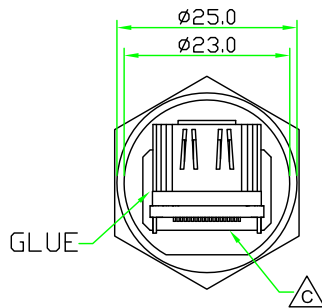


RECOMMEND
PANEL CUT OUT

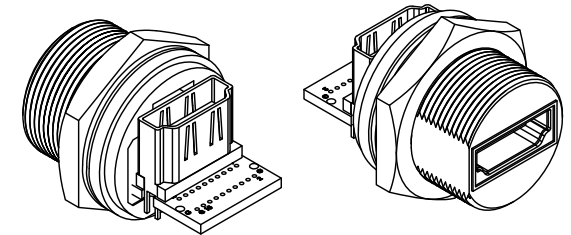
RoHS

IP66-68



FRONT VIEW
(前視圖)

REV	DESCRIPTION	DATE
A	ISSUE	Jan/10/2013
B	Change P/N NO.	May/09/2014
C	Change ① rear shape	Aug/13/2015
C1	Add HDMI logo	Sep/21/2015



NOTES:

1. ELECTRICAL CHARACTERISTICS:

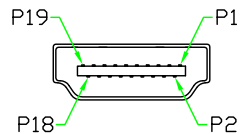
CURRENT RATING: 0.5A

CONNECTOR TEMPERATURE RANGE: -25°C TO +85°C

DIELECTRIC WITHSTANDING VOLTAGE:

500V AC FOR ONE MINUTE

2. PANEL THICKNESS MAX. 6.0mm



PIN ASSIGNMENT
FRONT VIEW
(前視圖)

OLD P/N: HDMIAC-P3CSJ
(原型號)

6	HEX NUT	Nylon+GF.	BLACK	1	
5	GASKET	EPDM.	BLACK	1	
4	CONNECTOR	HDMI A Type Female S/T PCB Connector.		1	
3	PCB	FR4 . Double Side, 1.6mm Thickness.		1	
2	CONNECTOR	HDMI A Type Female R/A Connector.		1	
1	BODY	HDMI A Type Female Connector Body. Nylon+GF.	BLACK	1	
No.	PART NAME	DESCRIPTION	COLOR	Q'TY	REMARKS

	UNIT: mm	TITLE :	HDMI A Type Female C Size Screw Type Circular Flange Panel With HDMI A Type Female		
	SCALE 1:1	P/N:	HDMIAC-P3CRJ		DR. Patty
UNLESS OTHERWISE SPECIFIED TOLERANCES: x ± 0.5 xx ± 0.25 xxx ± 0.1 ANGLE ± 1'		REV.	C1	SHEET 1/1	CH. ERIC
		DWG.NO:	HDMIAC-P3CRJ		AP.