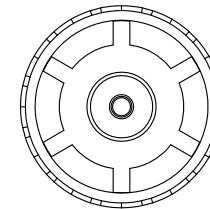
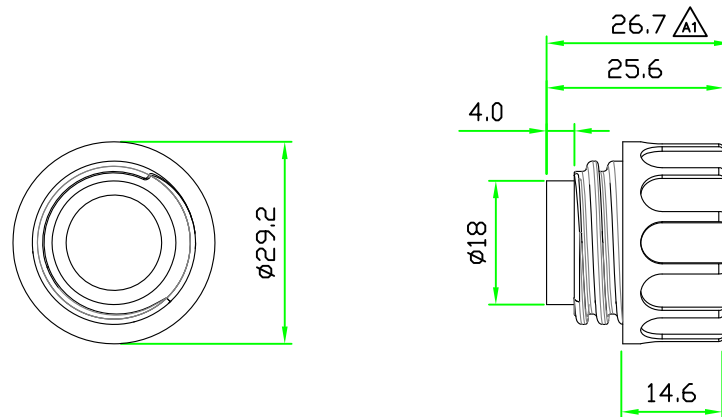
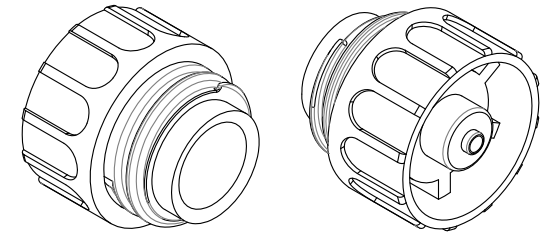

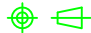


REV.	DESCRIPTION	DATE
A	ISSUE	Dec/15/2013
A1	Correct dimension.	Mar/14/2017



**RoHS**

1	CAP	WATERPROOF CAP FOR FEMALE CONNECTOR, NYLON+GF.	BLACK	1	28-135-N2
No.	PART NAME	DESCRIPTION	COLOR	Q'TY	REMARKS

					
	UNIT: mm	TITLE: Waterproof Cap For P Size Female Connector			
SCALE	1:1	P/N: CPP-WCAP-FY		DR. JACK	
UNLESS OTHERWISE SPECIFIED TOLERANCES:		X ±0.25 XX ±0.1		CH. ERIC	
REV. A1		SHEET 1/1		DWC.NO: CPP-WCAP-FY	
				AP.	