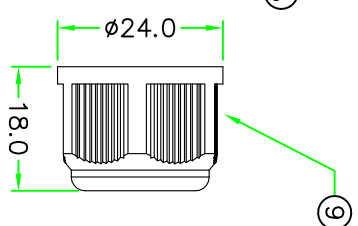
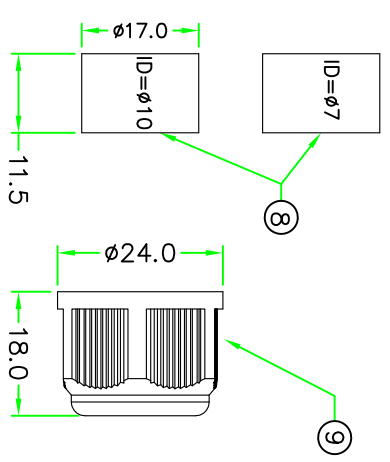
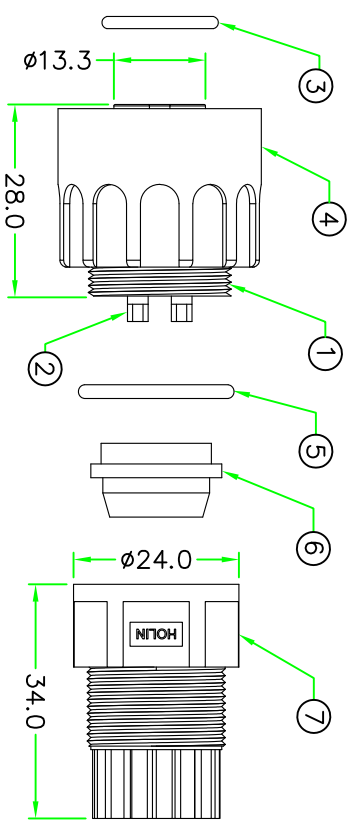
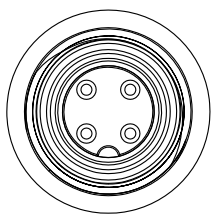
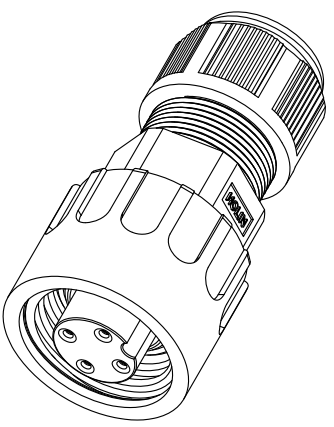
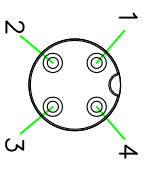


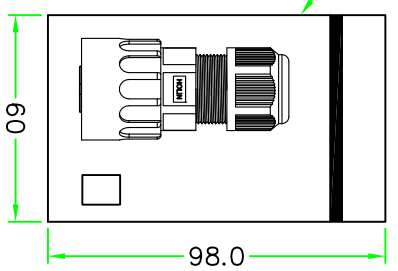
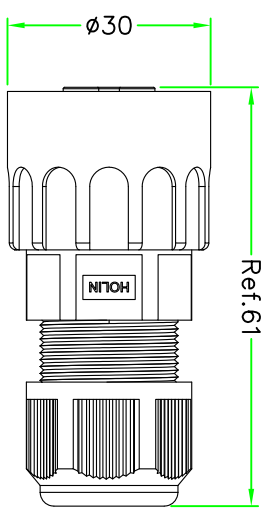
REV.	DESCRIPTION	DATE
A	ISSUE	Dec/04/2013



RoHS



**Pin Assignment
Front View
(前视图)**



#2 Zipper PE Bag.

9	CLAMP NUT	NYLON+GF.	BLACK	1	(70-135-N5) DPA-CLAMP		
8	SEAL	RUBBER (ID= 7.0 & 10.0mm)	BLACK	2	(97-135) DPL-SEALxx		
7	HOOD	NYLON.	BLACK	1	(69-135-N3) DPAHOOD		
6	GASKET	RUBBER.	BLACK	1	(97-135) DPS-RUBBER		
5	O-RING	EPDM.	BLACK	1	O-1620-EK		
4	SCREW NUT	NYLON+GF.	BLACK	1	P-SMF-NS (85-135-M4)		
3	O-RING	NBR.	BLACK	1	C16-F-P-N		
2	CONTACT	BRASS, FEMALE PIN. 6 u" GOLD PLATED.		4	CPP-7FC-S		
1	CONNECTOR	P Size 4P FEMALE INSERT, NYLON+GF.	BLACK	1	(27-135-N2) CPP-AF04		
No.	PART NAME	DESCRIPTION			COLOR	QTY	REMARKS



TITLE :
Circular P Size Screw Type 4P
Female Connector Female Pin
Field Installable Plug

SCALE
1:1

UNIT: mm

P/N: CPP-P204SA

UNLESS OTHERWISE SPECIFIED TOLERANCES:
xxx ± 0.05 ANGLE ± 1°x

DR. JACK

CH. ERIC

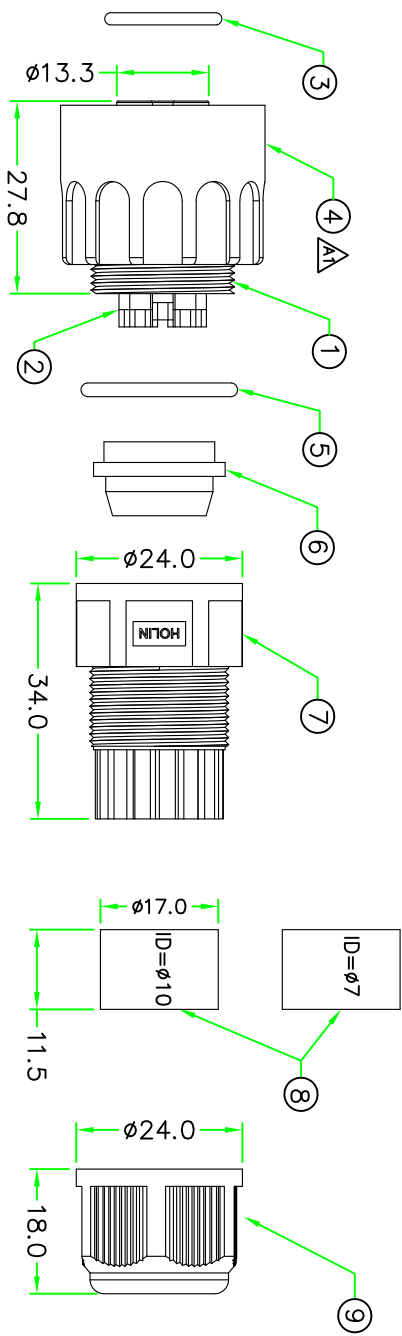
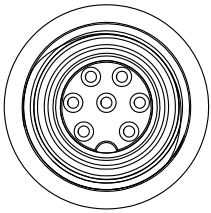
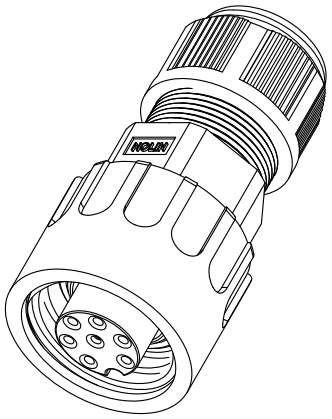
REV. A

SHEET 1/1

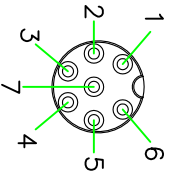
DWG.NO.: CPP-P204SA

AP.

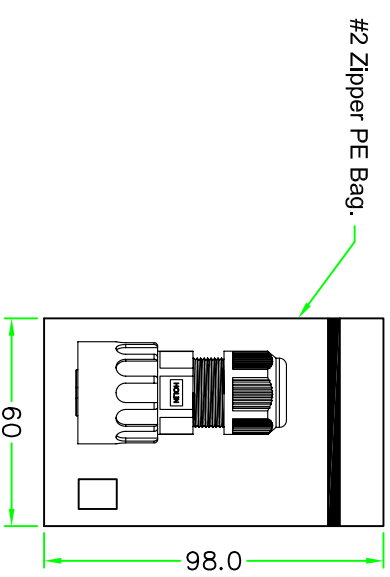
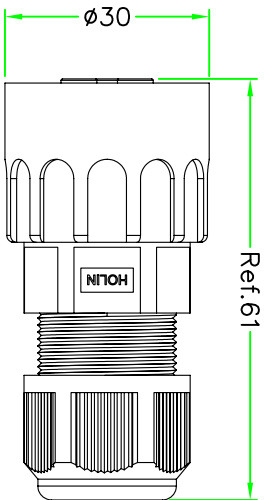
REV.	DESCRIPTION	DATE
A	ISSUE	May/08/2013
A1	Change screw nut shape.	Dec/04/2013



RoHS



Pin Assignment
Front View
(前視圖)



9	CLAMP NUT	NYLON+GF.	BLACK	1	(70-135-N5) DPA-CLAMP		
8	SEAL	RUBBER (ID= 7.0 & 10.0mm)	BLACK	2	(97135) DPL-SEALxx		
7	HOOD	NYLON.	BLACK	1	(69-135-N3) DPA-HOOD		
6	GASKET	RUBBER.	BLACK	1	(97-135) DPS-RUBBER		
5	O-RING	EPDM.	BLACK	1	O-1620-EK		
4	SCREW/NUT	NYLON+GF.	BLACK	1	P-SNF-FNS (66-135-N4)		
3	O-RING	NBR.	BLACK	1	C16-F-P-N		
2	CONTACT	BRASS. FEMALE PIN. 6 u" GOLD PLATED.		7	CPP-7FC-S		
1	CONNECTOR	P Size 7P FEMALE INSERT, NYLON+GF.	BLACK	1	(27-135-N2) CPP-AF07		
No.	PART NAME	DESCRIPTION			COLOR	QTY	REMARKS



UNLESS OTHERWISE SPECIFIED TOLERANCES:
 X ±0.25 XX ± 0.1
 XXX ± 0.05 ANGLE ± 1°
 SCALE 1:1
 UNIT: mm

TITLE : Circular P Size Screw Type 7P
 Female Connector Female Pin
 Field Installable Plug

P/N: CPP-P207SA
 DR. JACK

CH. ERIC

REV. A1
 SHEET 1/1
 DWG.NO.: CPP-P207SA
 AP.