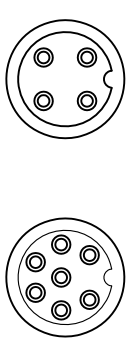
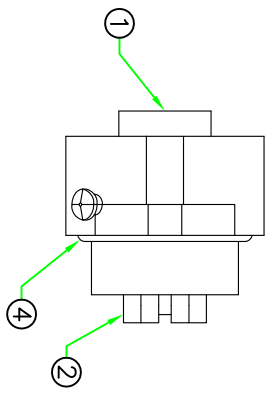
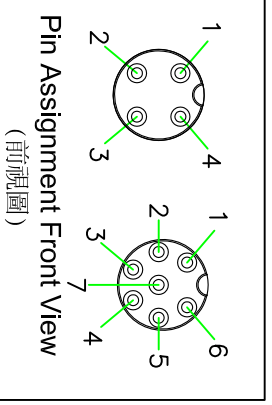
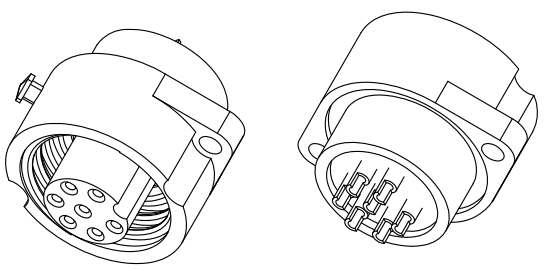
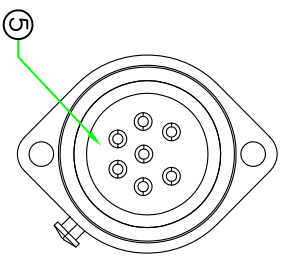
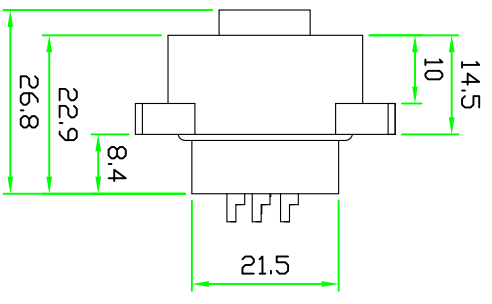
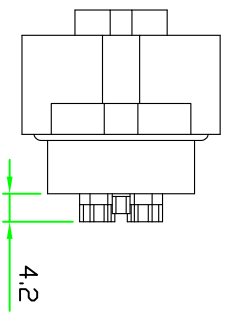
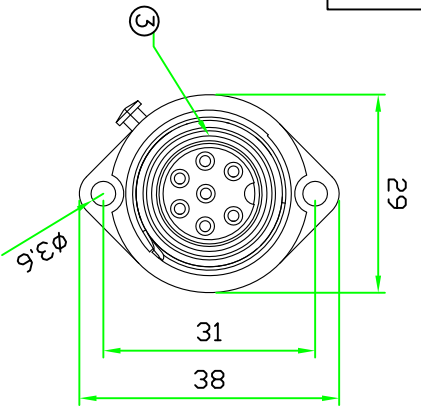
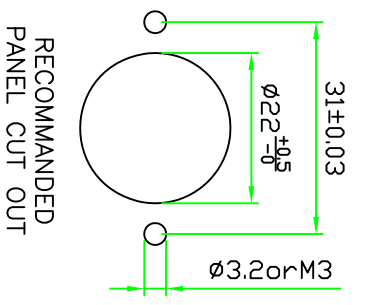


REV.	DESCRIPTION	DATE
A	ISSUE	Dec/05/2013



CPP-P204DSF CPP-P207DSF



TITLE CIRCULAR P SIZE FEMALE SOLDER PIN
SCREW TYPE ROUND FLANGE
SCREW MOUNT PANEL CONNECTOR

No.	PART NAME	DESCRIPTION	COLOR	Q'TY	REMARKS
5	GLUE	EPOXY .	BLACK	1	
4	O-RING	NBR.	BLACK	1	O-1620-EK
3	O-RING	NBR.	BLACK	1	O16F-P-N
2	CONTACT	BRASS, FEMALE PIN, 6u" GOLD PLATED.		N	F1.5SPL24.5
1	CONNECTOR	NYLON+GF.	BLACK	1	CPP-P2xxC

UNLESS OTHERWISE
SPECIFIED TOLERANCES:
XXX ±0.25 XX ±0.1
XXX ±0.05 ANGLE ±1°
REV. A

SCALE 1:1
UNIT: mm
P/N: CPP-P2xxDSF
CH: MICHAEL
DR: JACK
DWG. NO: CPP-P2xxDSF
SHEET 1/1
AP.