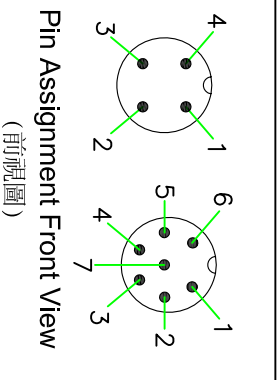
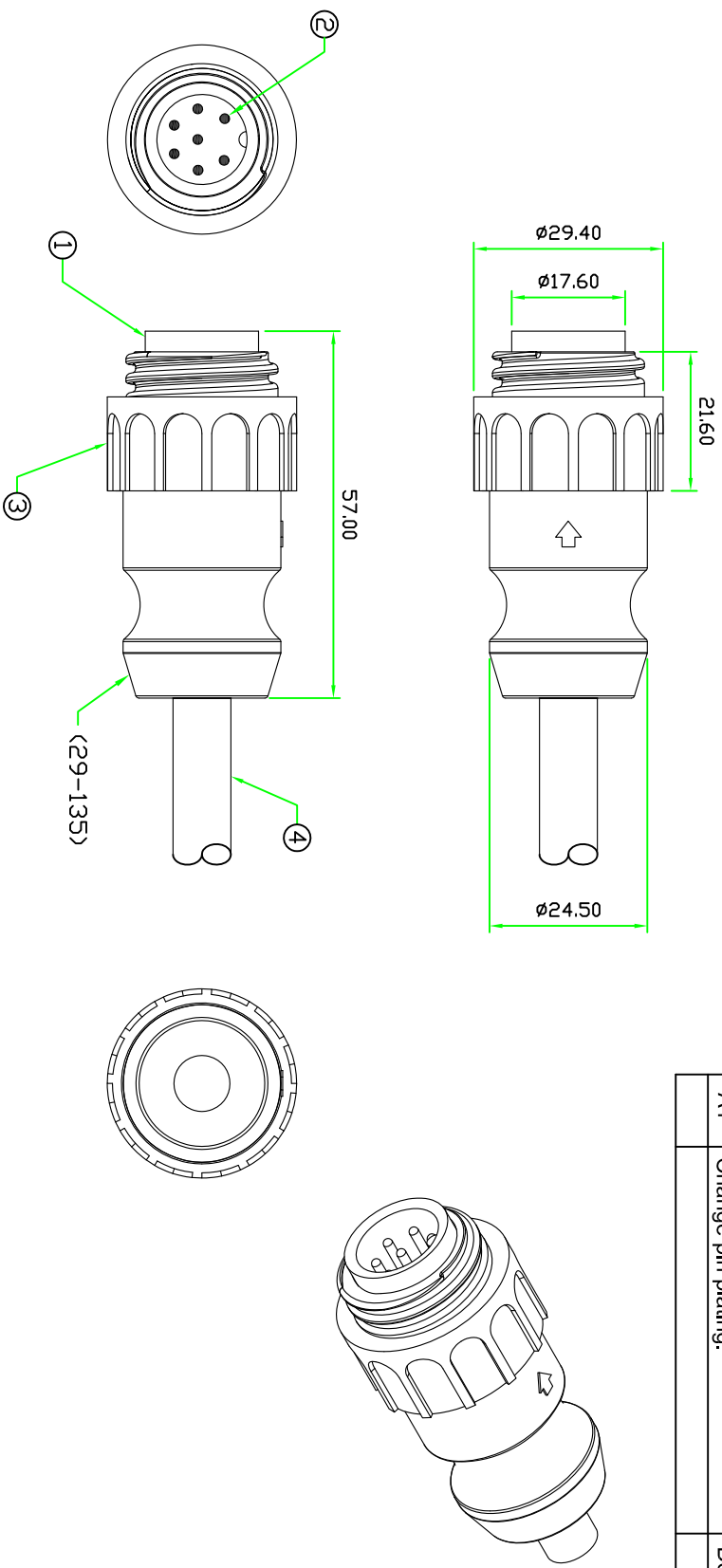


RoHS

REV.	DESCRIPTION	DATE
A	ISSUE	Sep/18/2008
A1	Change pin plating.	Dec/05/2013



CPP-P104SN CPP-P107SN



TITLE
CIRCULAR P SIZE MALE
SCREW TYPE MOLDED CABLE

DR. JACK

P/N: CPP-P1xxSN
CH: MICHAEL

UNLESS OTHERWISE SPECIFIED TOLERANCES:
X ±0.25 XX ±0.1
XXX ±0.05 ANGLE ±1°

No.	PART NAME	DESCRIPTION	COLOR	QTY	REMARKS	REV.	SHEET	DWG.NO:	AP:
4	CABLE			1		A1	1/1	CPP-P1xxSN	AP:
3	SCREW NUT	NYLON.	BLACK	1	P-SNM1 (28-135)				
2	CONTACT	BRASS, MALE PIN, 6U" GOLD PLATED.		N	C16-1-M-C-PS				
1	CONNECTOR	NYLON+GF.	BLACK	1	CPP-C1xxM-S (27-135)				