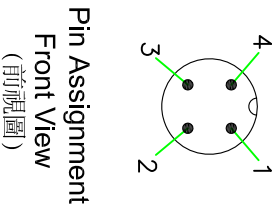
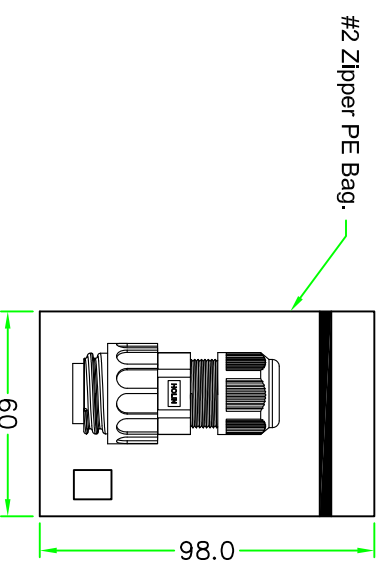
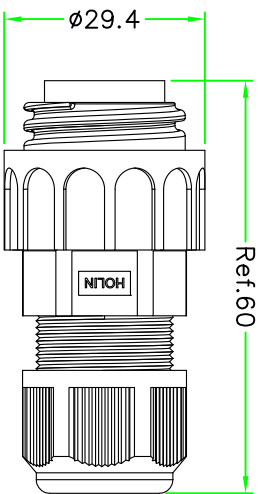
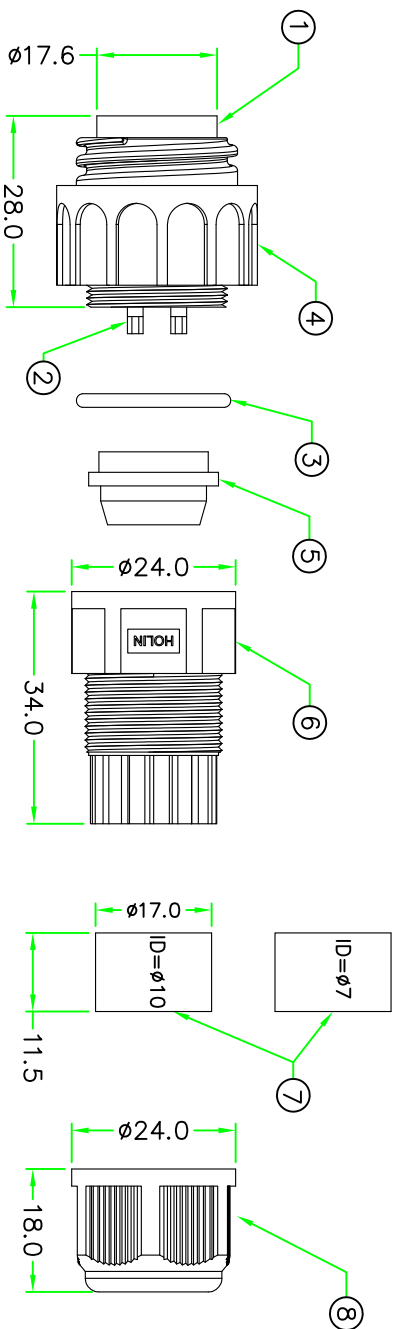
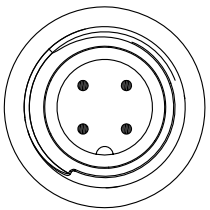
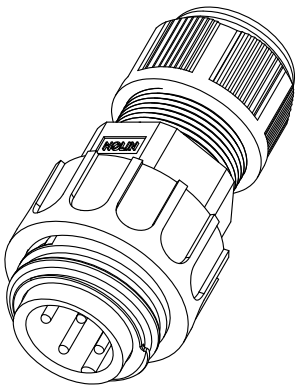


RoHS



Pin Assignment
Front View
(前视图)

8	CLAMP NUT	NYLON+GF.	BLACK	1	(70-135-N5) DPA-CLAMP
7	SEAL	RUBBER (ID= 7.0 & 10.0mm)	BLACK	2	(97-135) DPL-SEAL XX
6	HOOD	NYLON.	BLACK	1	(69-135-N3) DPA-HOOD
5	GASKET	RUBBER.	BLACK	1	(97-135) DPS-RUBBER
4	SCREW NUT	NYLON+GF.	BLACK	1	P-SN+M (28-135)
3	O-RING	EPDM.	BLACK	1	O-1620-EK
2	CONTACT	BRASS. MALE PIN. 6 u" GOLD PLATED.		4	C16-1-M-C-PS (27-135)
1	CONNECTOR	P SIZE 4P MALE INSERT, NYLON+GF.	BLACK	1	CPPA104M
No.	PART NAME		COLOR	QTY	REMARKS
DESCRIPTION					



TITLE : Circular P Size Screw Type 4P
Male Connector Male Pin
Field Installable Plug

P/N: CPP-P104SA
DR. *Michael*

SCALE: 1:1
UNIT: mm
CH. *3.8.37c*

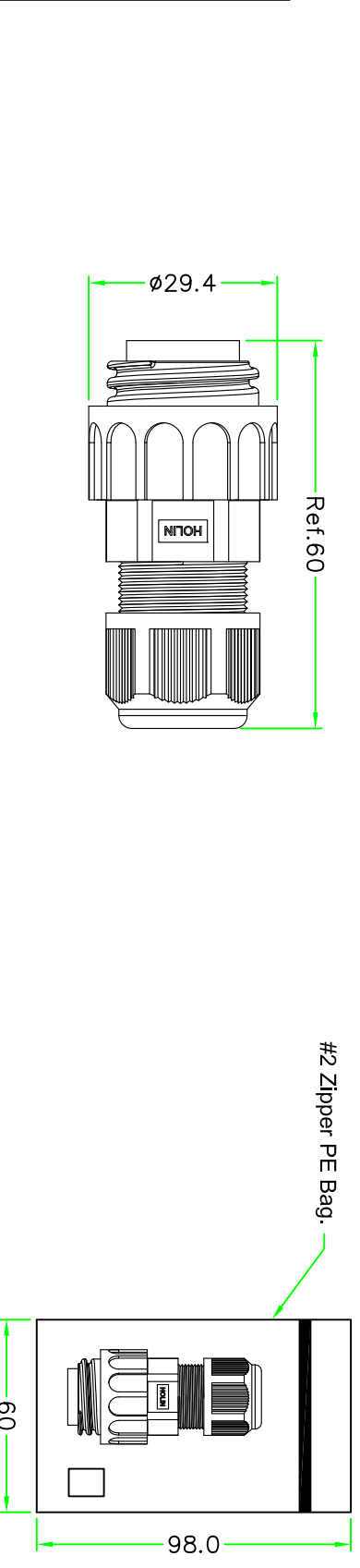
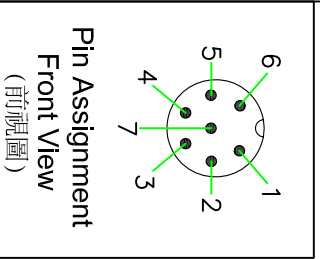
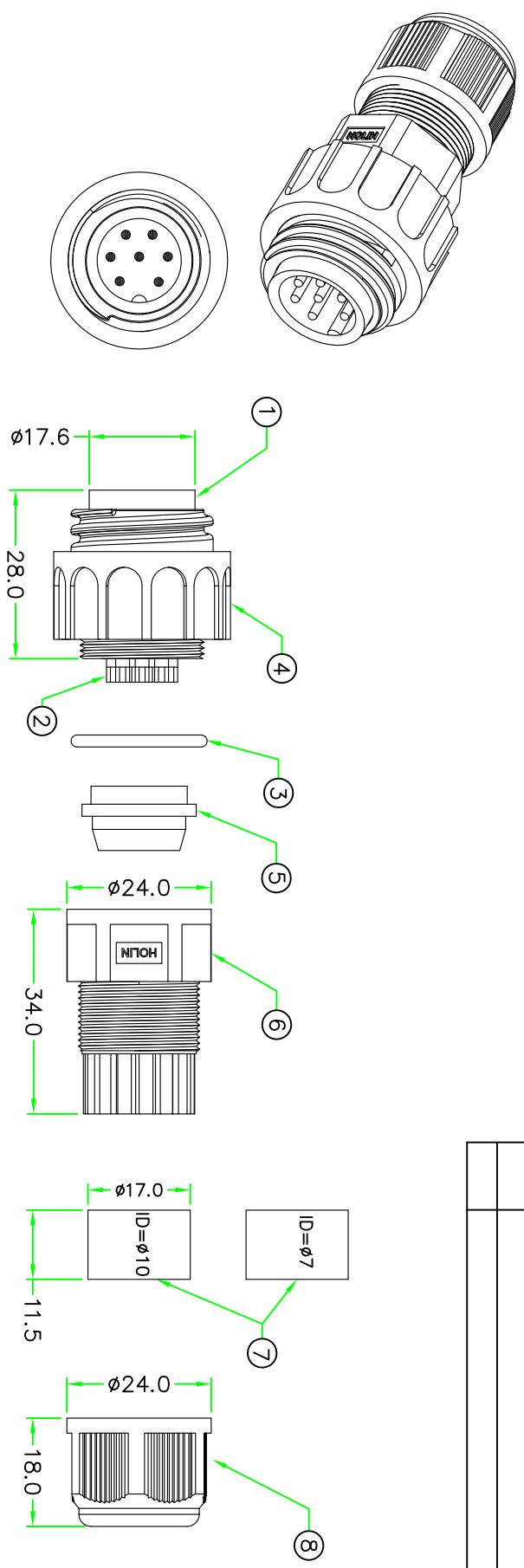
UNLESS OTHERWISE SPECIFIED TOLERANCES:
XXX ± 0.25 XX ± 0.1
XXX ± 0.05 ANGLE ± 1°
DWG.NO: CPP-P104SA
AP.

REV. A
ISSUE 1/1
SHEET 1/1

REV.	DESCRIPTION	DATE
A	ISSUE	May/08/2013

RoHS

REV.	DESCRIPTION	DATE
A	ISSUE	May/08/2013



No.	PART NAME	DESCRIPTION	COLOR	QTY	REMARKS
8	CLAMP NUT	NYLON+GF.	BLACK	1	(70-135-N3) DPA-CLAMP
7	SEAL	RUBBER (ID=7.0 & 10.0mm)	BLACK	2	(97-135) DPL-SEALxx
6	HOOD	NYLON.	BLACK	1	(69-135-N3) DPA-HOOD
5	GASKET	RUBBER.	BLACK	1	(97-135) DPS-RUBBER
4	SCREW NUT	NYLON+GF.	BLACK	1	P-SHM (28-135)
3	O-RING	EPDM.	BLACK	1	O-1620-EK
2	CONTACT	BRASS, MALE PIN, 6 u" GOLD PLATED.		7	C16+MM-C-PS
1	CONNECTOR	P SIZE 7P MALE INSERT, NYLON+GF.	BLACK	1	(27-135) CPP-A107M

CÉLION
CIRCUITRY CONNECTIONS

TITLE : Circular P Size Screw Type 7P Male Connector Male Pin Field Installable Plug

SCALE : 1:1

UNLESS OTHERWISE SPECIFIED TOLERANCES:

Ø	±0.25	xx	± 0.1
XXX	± 0.05	ANGLE ±	1dx

REV. A **SHEET 1/1**

P/N: CPP-P107SA **DR. Michael**

DMG. NO: CPP-P107SA **CH. E93C**

AP.