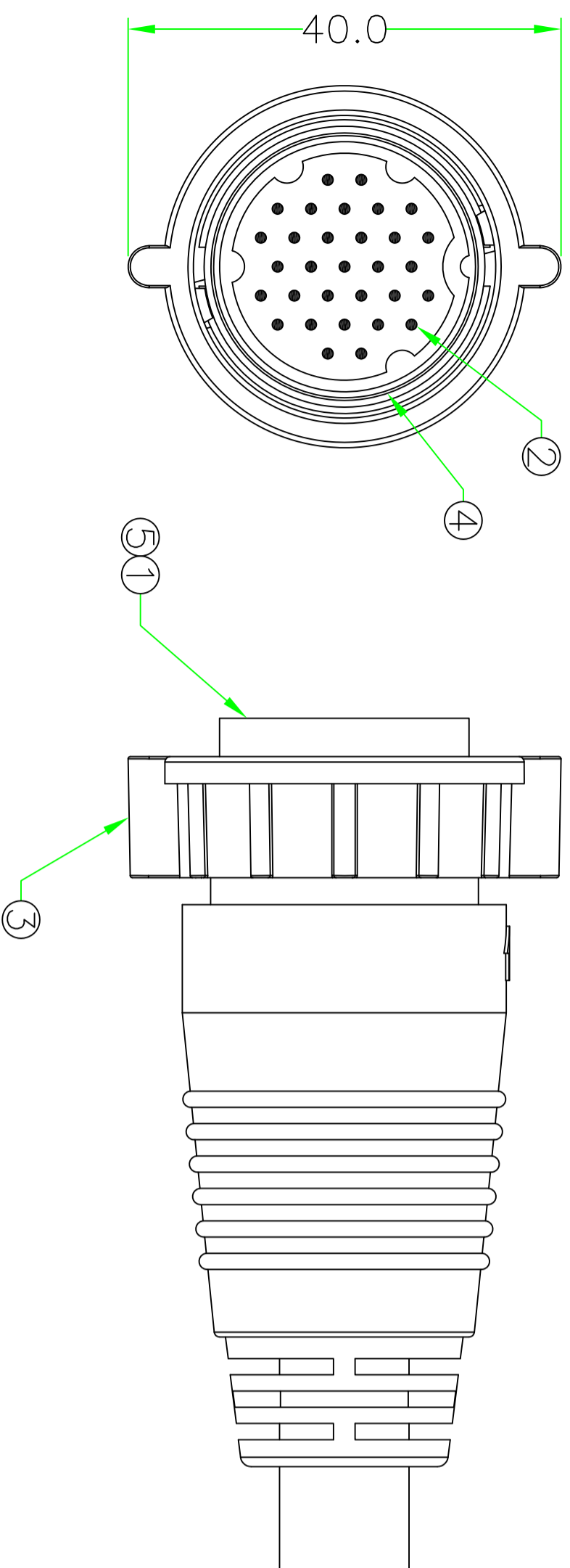
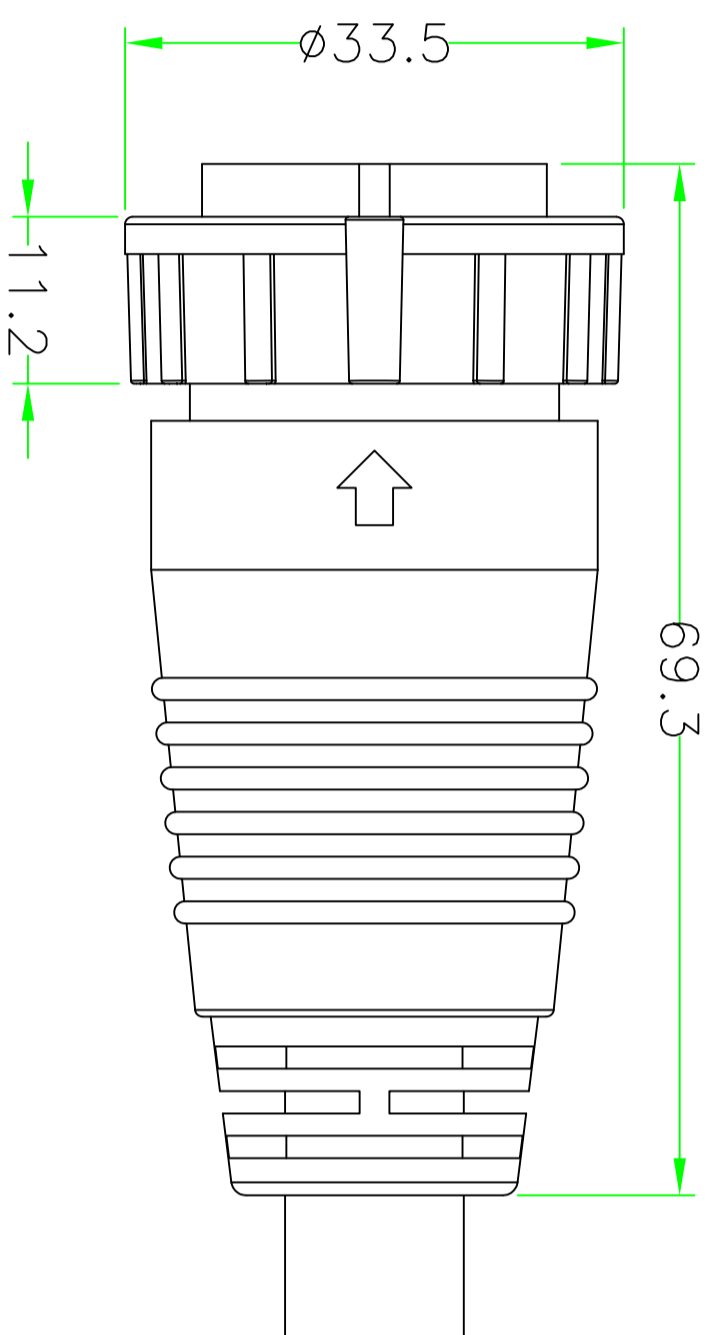
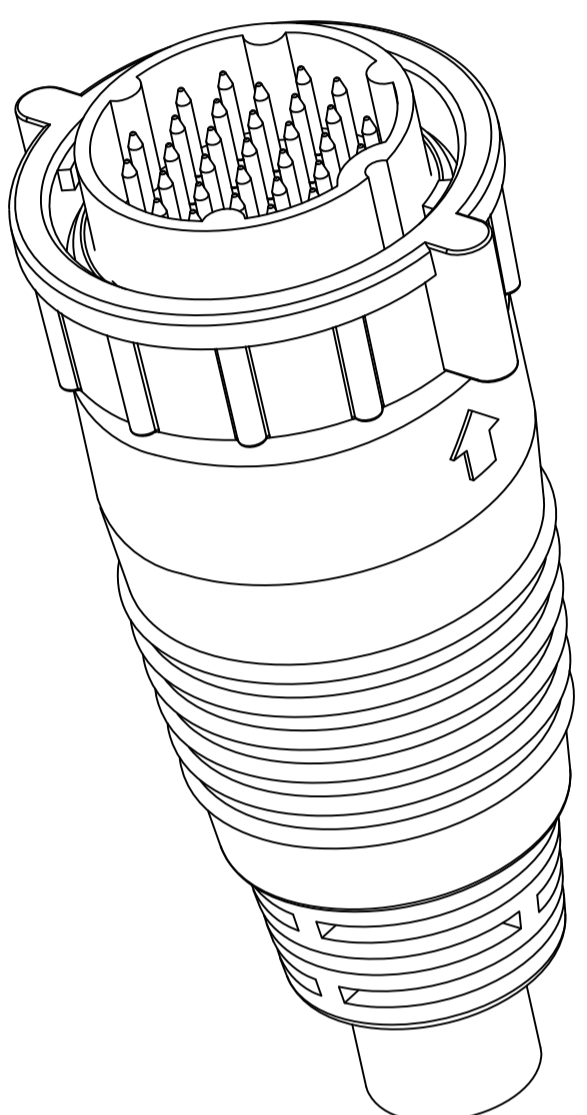
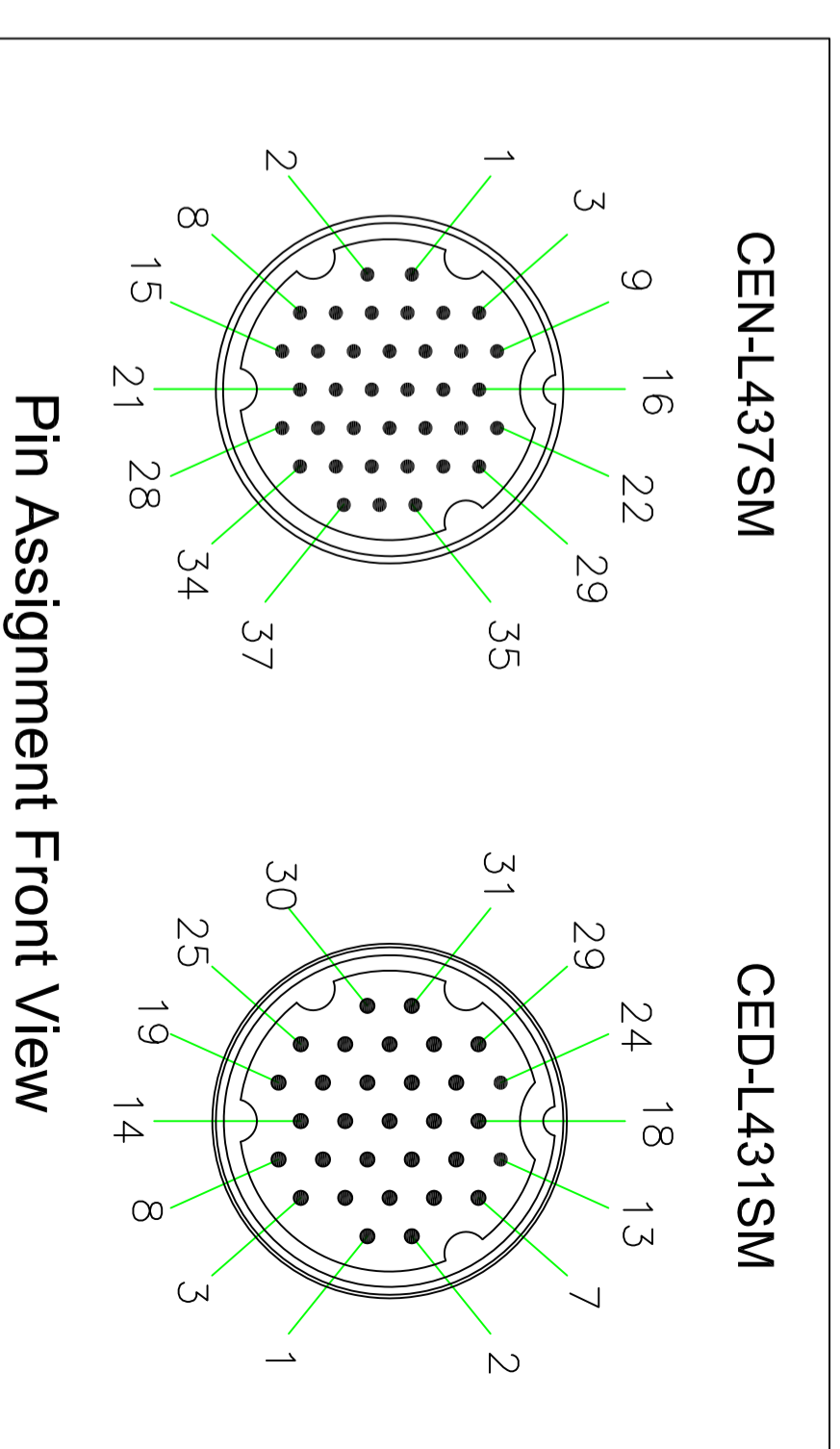


RoHS
IP67



- NOTES:
- ELECTRICAL CHARACTERISTICS:
CURRENT RATING: 2A / 5A
CONNECTOR TEMPERATURE RANGE: -40°C TO +105°C
DIELECTRIC WITHSTANDING VOLTAGE:
500V AC FOR ONE MINUTE
 - HOW TO ORDER: CEX-L4XXSM

31 - 31PIN
37 - 37PIN
N - CURRENT RATING 2A
D - CURRENT RATING 5A



Pin Assignment Front View

5	GLUE	Glue.	BLACK	1	
4	O-RING	SILICON.	D.BLUE	1	O-2215-SB
3	LOCK NUT	NYLON+GF.	BLACK	1	CEA-LN (138-135)
2	CONTACT	BRASS. Male Pin. 6u" Gold Plated. Solder Cup.		N	
1	CONNECTOR	Circular E Size Connector Insert. NYLON+GF.	BLACK	1	CEJ-31FMC (45-135-N8-2)
No.	PART NAME		COLOR	Q'TY	REMARKS

	SCALE	UNIT: mm	TITLE :	Circular E Size Female Connector Male Pin Lock type Solder Bucker All Plastic Cable Molding Connector
	UNLESS OTHERWISE SPECIFIED TOLERANCES:	1 : 1	P/N:	CEX-L4XXSM
	XXX ± 0.05 ANGLE ± 1°X		DR. Jack	CH. SQA.VBgy
	REV. SHEET	A 1 / 1	DWG:NO:	CEX-L4XXSM
			AP.	



REV.	DESCRIPTION	DATE
A	ISSUE	Sep/15/2010