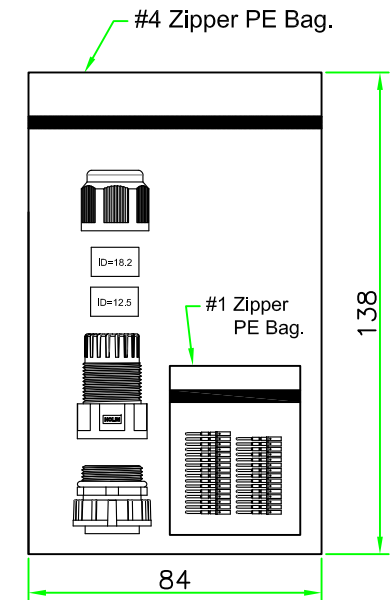
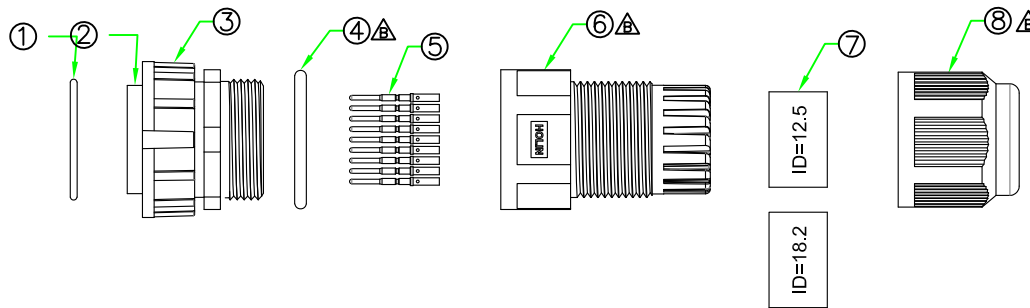
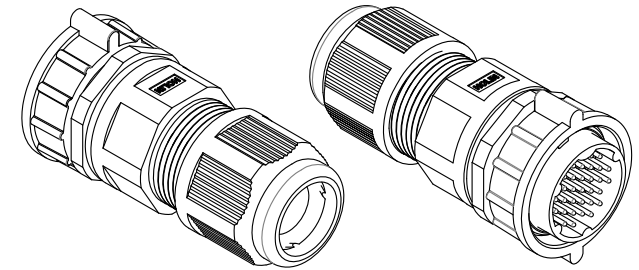
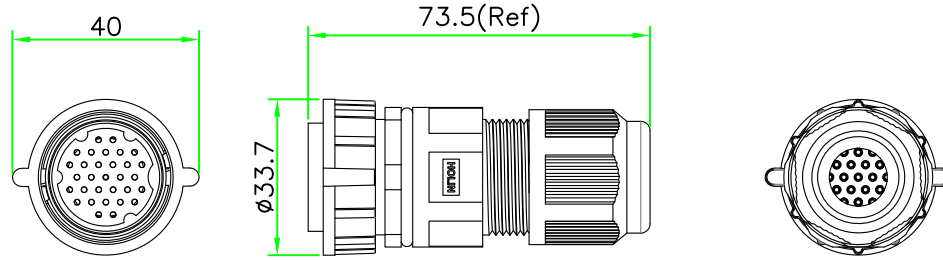


RoHS

REV.	DESCRIPTION	DATE
A	ISSUE	Jul/09/2020
B	Change design.	Feb/02/2021



8	CLAMP NUT	Nylon+GF.		1	
7	TUBE	RUBBER (ID=12.5 & 18.2mm).	BLACK	2	
6	HOOD	NYLON.		1	
5	CONTACT	BRASS. 6u" Gold Plated Over Nickel Plated.		31	
4	O-RING	NBR.		1	O-2425-NB01
3	LOCK NUT	Nylon+GF.		1	
2	CONNECTOR	Circular E Size 31P Connector Insert. Nylon+GF.	BLACK	1	
1	O-RING	SILICON.	BLACK	1	O-2215-SK01
No.	PART NAME	DESCRIPTION	COLOR	Q'TY	REMARKS

CÉLION
Wire pour monde électronique

	UNIT: mm	TITLE : Circular E Size Lock Type Female Connector Male Pin Crimp Type Field Installable Plug	DR. JAMES CH. ERIC
SCALE	2:3		
UNLESS OTHERWISE SPECIFIED TOLERANCES: x ±0.5 xx ±0.25 xxx ±0.1 ANGLE ± 1°		P/N: CED-L431SAC	AP.
REV. B	SHEET 1/1	DWG.NO: CED-L431SAC	