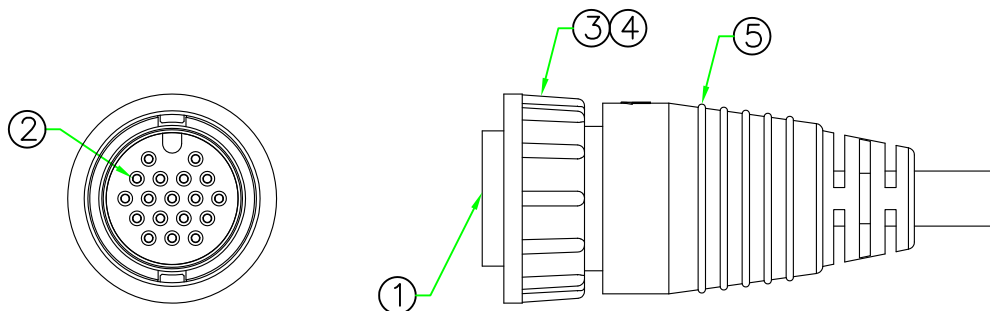
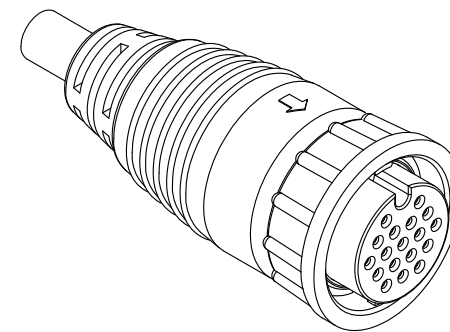
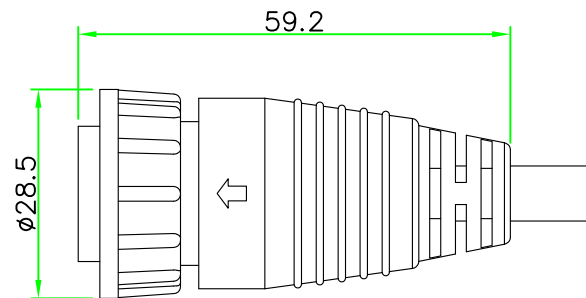


RoHS

IP66~68

REV.	DESCRIPTION	DATE
A	ISSUE	Oct/08/2014

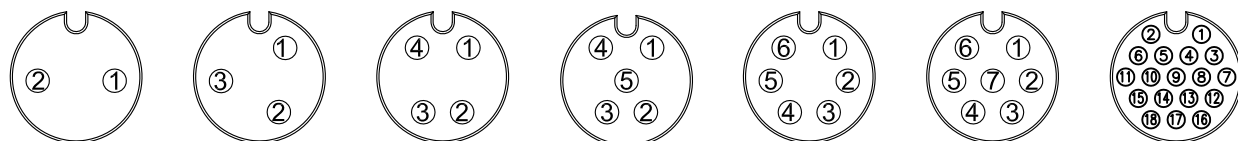


NOTES:

- ELECTRICAL CHARACTERISTICS:
 CURRENT RATING: 5A / 20A
 CONNECTOR TEMPERATURE RANGE: -20°C TO +80°C
 DIELECTRIC WITHSTANDING VOLTAGE:
 500V AC FOR ONE MINUTE
- HOW TO ORDER: CD_x-L2_{xx}SM

- 02 - 2 PIN 18 - 18 PIN
- 03 - 3 PIN
- 04 - 4 PIN
- 05 - 5 PIN
- 06 - 6 PIN
- 07 - 7 PIN


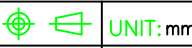
G - CURRENT RATING 20A
 D - CURRENT RATING 5A



CDG-L202SM CDG-L203SM CDG-L204SM CDG-L205SM CDG-L206SM CDG-L207SM CDD-L218SM

PIN ASSIGNMENT FRONT VIEW
 (前視圖)

5	OVERMOLD	PVC or PU.	BLACK	1	
4	LOCK NUT	NYLON+GF.	BLACK	1	
3	O-RING	EPDM.	BLACK	1	
2	CONTACT	Brass , 6u" Gold Plated. Female Contact.		18	
1	CONNECTOR	D Size Female Connector Insert, NYLON+GF.	BLACK	1	
No.	PART NAME	DESCRIPTION	COLOR	Q'TY	REMARKS

	
 UNIT: mm SCALE: 1:1	TITLE : Circular D Size Lock Type Female Connector Female Pin Molded Cable
UNLESS OTHERWISE SPECIFIED TOLERANCES: .x ± 0.25 .xx ± 0.1 .xxx ± 0.05 ANGLE ± 1° REV. A SHEET 1/1	P/N: CD _x -L2 _{xx} SM DWG.NO: CD _x -L2 _{xx} SM
	DR. Patty CH. ERIC AP.