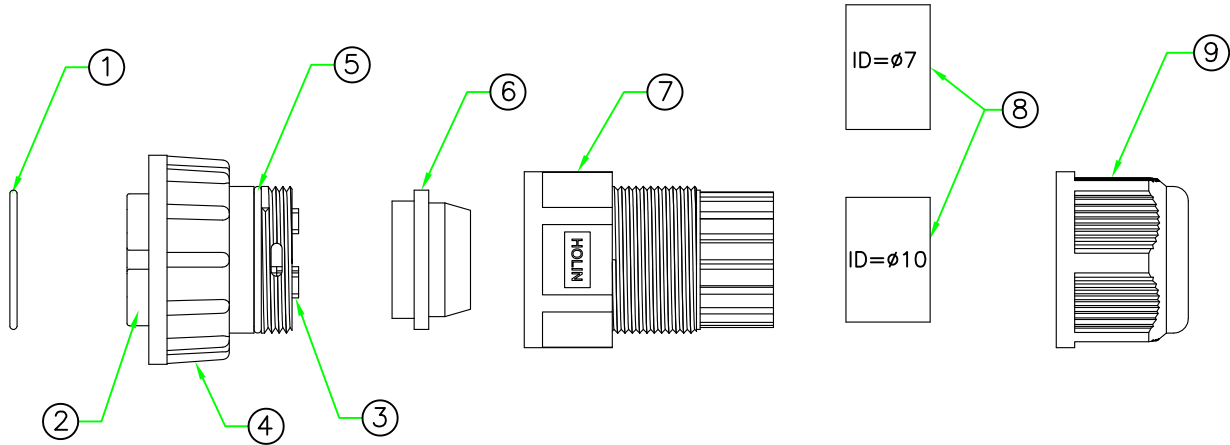
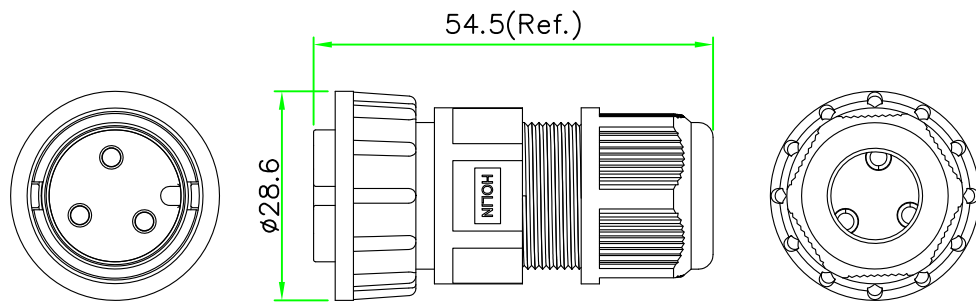
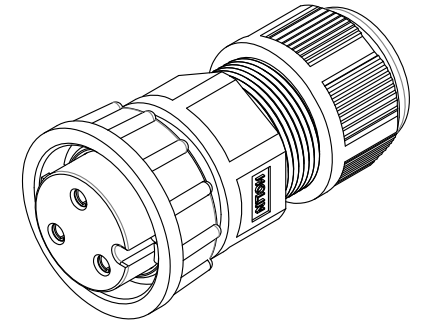


RoHS

IP66-68

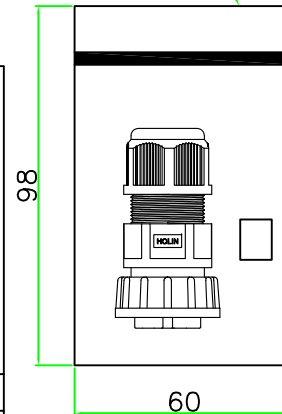


REV.	DESCRIPTION	DATE
A	ISSUE	Jun/03/2015



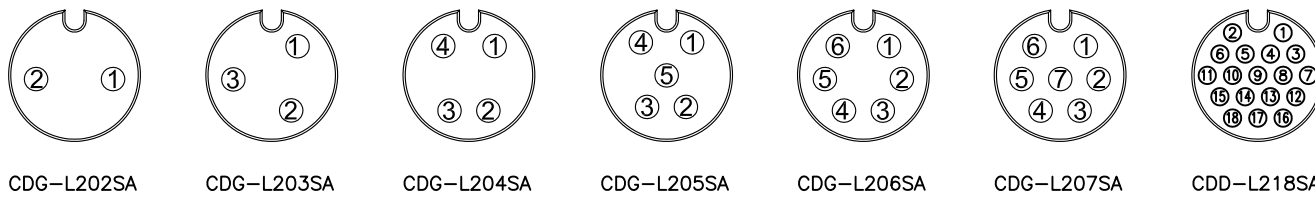
- NOTES:
- ELECTRICAL CHARACTERISTICS:
 CURRENT RATING: 5A / 20A
 CONNECTOR TEMPERATURE RANGE: -20°C TO +80°C
 DIELECTRIC WITHSTANDING VOLTAGE:
 500V AC FOR ONE MINUTE
 - HOW TO ORDER: CDx-L2xxSA

#2 Zipper PE Bag.



- 02 - 2 PIN 18 - 18 PIN
- 03 - 3 PIN
- 04 - 4 PIN
- 05 - 5 PIN
- 06 - 6 PIN
- 07 - 7 PIN

- G - CURRENT RATING 20A
- D - CURRENT RATING 5A



PIN ASSIGNMENT FRONT VIEW
(前視圖)

9	CLAMP NUT	NYLON+GF.	BLACK	1	
8	TUBE	Rubber (ID= 7.0 & 10.0mm)	BLACK	2	
7	HOOD	NYLON.	BLACK	1	
6	GASKET	EPDM.	BLACK	1	
5	O-RING	NBR.	BLACK	1	
4	LOCK NUT	NYLON+GF.	BLACK	1	
3	CONTACT	Brass,Female Pin. 6u" Gold Plated.		N	
2	CONNECTOR	D Size Female Connector Insert, NYLON+GF.	BLACK	1	
1	O-RING	EPDM.	BLACK	1	
No.	PART NAME	DESCRIPTION	COLOR	Q'TY	REMARKS

		TITLE : Circular D Size Lock Type Female Connector Female Pin Field Installable Plug	DR. Patty CH. ERIC
	UNIT: mm SCALE: 1:1		
UNLESS OTHERWISE SPECIFIED TOLERANCES: .x ± 0.5 .xx ± 0.25 .xxx ± 0.1 ANGLE ± 1°		DWG.NO: CDx-L2xxSA	AP.
REV. A	SHEET 1/1		