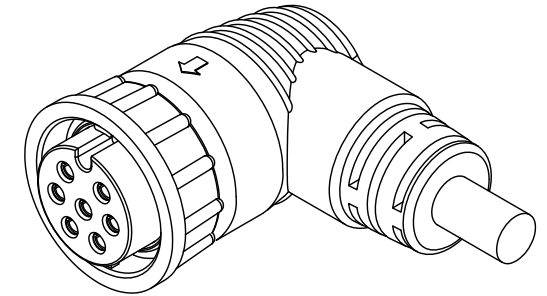
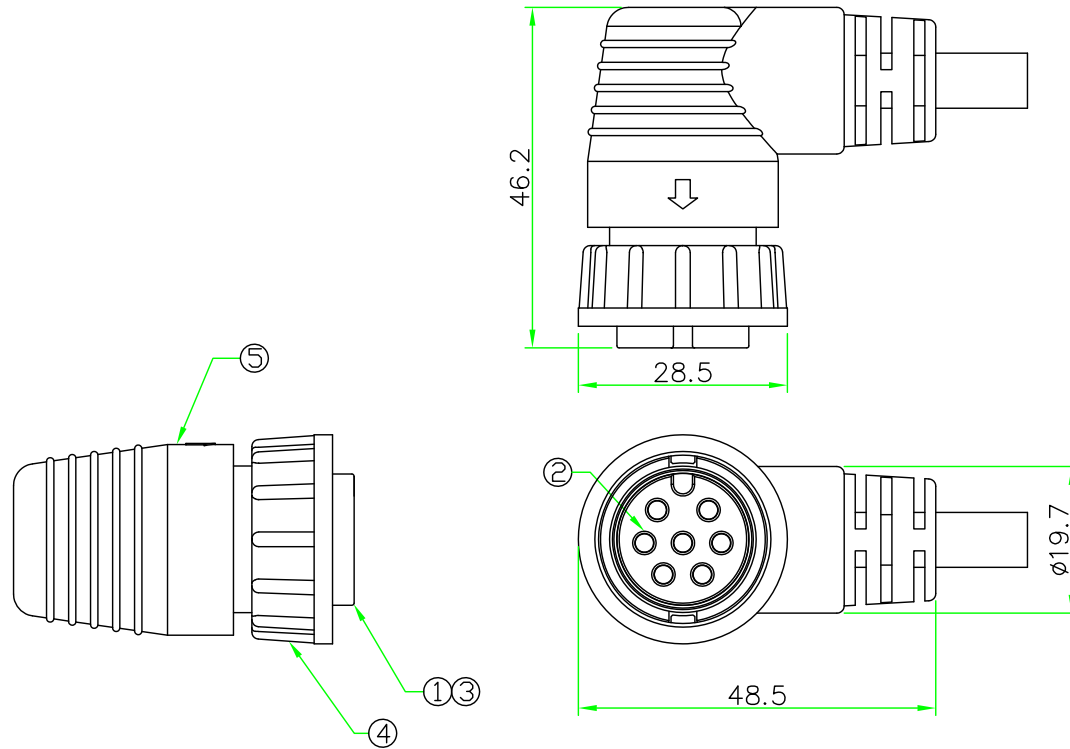


RoHS

IP66~68

REV.	DESCRIPTION	DATE
A	ISSUE	Mar/30/2015

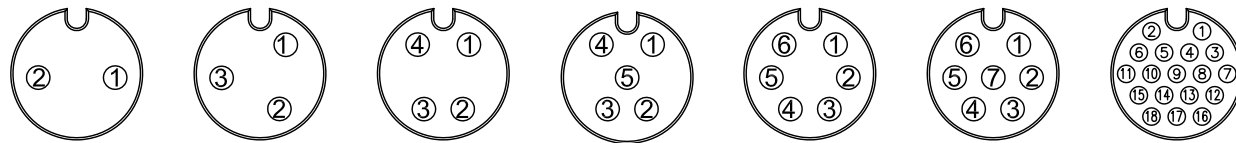


NOTES:

- ELECTRICAL CHARACTERISTICS:
 CURRENT RATING: 5A / 20A
 CONNECTOR TEMPERATURE RANGE: -20°C TO +80°C
 DIELECTRIC WITHSTANDING VOLTAGE:
 500V AC FOR ONE MINUTE
- HOW TO ORDER: CDx-L2xxRM

- 02 - 2 PIN 18 - 18 PIN
- 03 - 3 PIN
- 04 - 4 PIN
- 05 - 5 PIN
- 06 - 6 PIN
- 07 - 7 PIN



G - CURRENT RATING 20A
 D - CURRENT RATING 5A



CDG-L202RM CDG-L203RM CDG-L204RM CDG-L205RM CDG-L206RM CDG-L207RM CDD-L218RM

PIN ASSIGNMENT FRONT VIEW
 (前視圖)

5	OVERMOLD	PVC or PU.	BLACK	1	
4	LOCK NUT	NYLON+GF.	BLACK	1	
3	O-RING	EPDM	BLACK	1	
2	CONTACT	Brass ,Female Pin. 6u" Gold Plated.		N	
1	CONNECTOR	D Size Female Connector Insert, NYLON+GF.	BLACK	1	
No.	PART NAME	DESCRIPTION	COLOR	Q'TY	REMARKS

		TITLE : Circular D Size Lock Type Female Connector Female Pin Right Angle Molded Cable	
 UNIT: mm	SCALE : 1:1	P/N: CDx-L2xxRM	DR. Patty
UNLESS OTHERWISE SPECIFIED TOLERANCES: .x ± 0.5 .xx ± 0.25 .xxx ± 0.1 ANGLE ± 1°			CH. ERIC
REV. A	SHEET 1/1	DWG.NO: CDx-L2xxRM	AP.