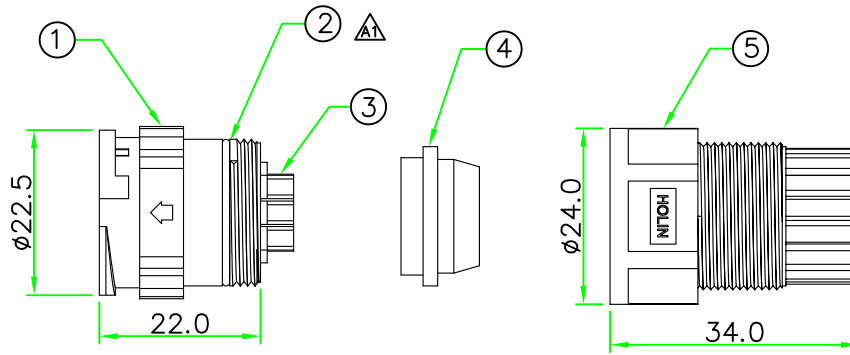
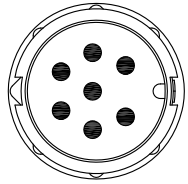
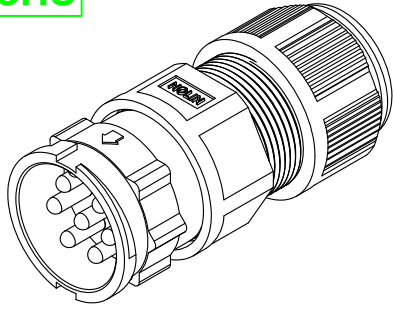
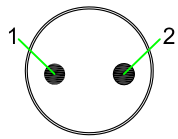
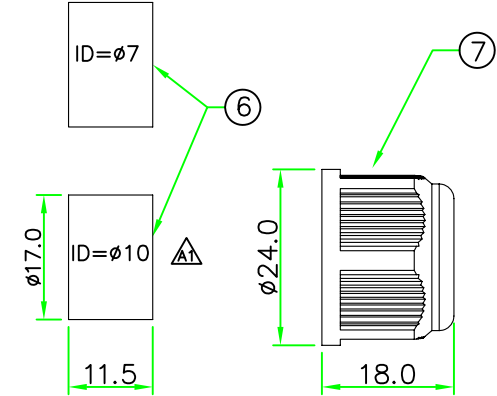


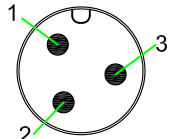
RoHS



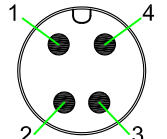
REV.	DESCRIPTION	DATE
A	ISSUE	Apr/16/2010
A1	Change O-Ring & tube size.	May/22/2014



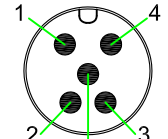
CDG-L102SA



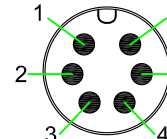
CDG-L103SA



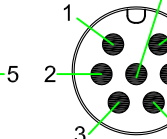
CDG-L104SA



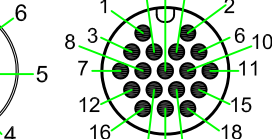
CDG-L105SA



CDG-L106SA



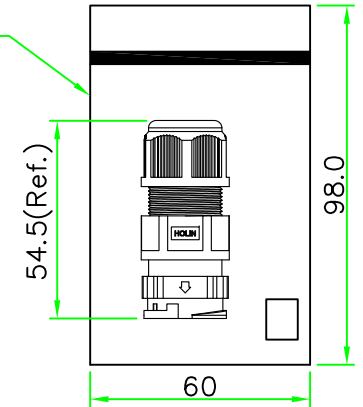
CDG-L107SA



CDG-L118SA

Pin Assignment Front View
(前視圖)

#2 Zipper PE Bag.



7	CLAMP NUT	NYLON+GF.	BLACK	1	
6	TUBE	RUBBER (ID= 7.0 & 10.0mm) Δ	BLACK	2	
5	HOOD	NYLON.	BLACK	1	
4	GASKET	RUBBER.	BLACK	1	
3	CONTACT	Brass ,Male Pin. 6u"Gold Plated.		N	
2	O-RING	NBR. Δ	BLACK	1	
1	CONNECTOR	C Size Male Connector Insert, NYLON+GF.	BLACK	1	
No.	PART NAME	DESCRIPTION	COLOR	Q'TY	REMARKS



ϕ \square	UNIT: mm	TITLE : CIRCULAR D SIZE LOCK TYPE MALE FIELD INSTALLABLE PLUG	
SCALE	1:1		
UNLESS OTHERWISE SPECIFIED TOLERANCES: x ± 0.25 xx ± 0.1 xxx ± 0.05 ANGLE $\pm 1^\circ$ X		P/N:	CDG-L1xxSA
REV.	SHEET	DR.	Patty
A1	1/1	CH.	ERIC
		AP.	
		DWG.NO:	CDG-L1xxSA