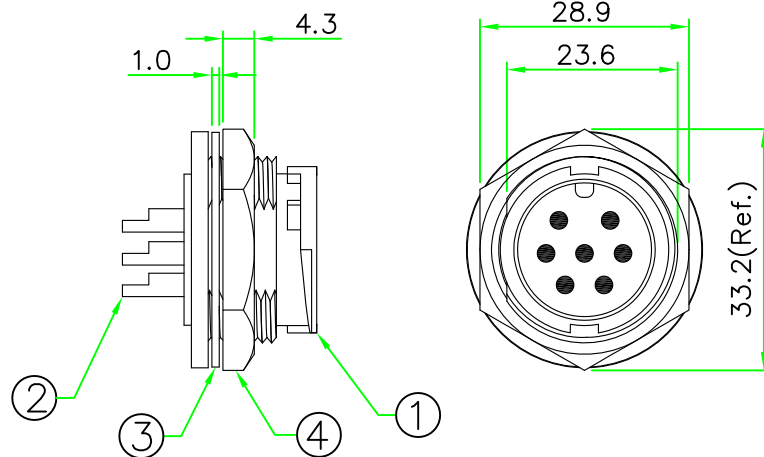
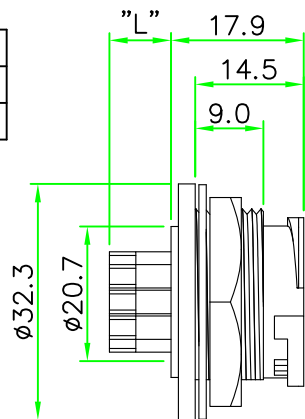


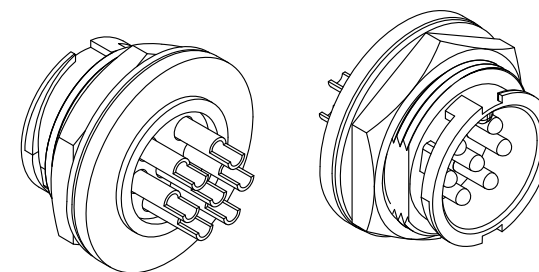
RECOMMENDED
PANEL CUT OUT

RoHS
IP66~68

P/N	L
CDD	1.6
CDG	8.6



REV.	DESCRIPTION	DATE
A	ISSUE	Oct/22/2014

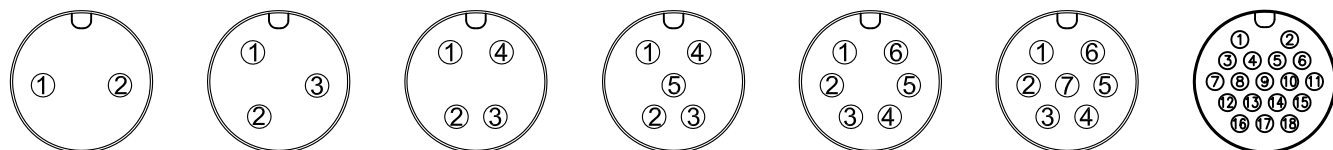


NOTES:

- ELECTRICAL CHARACTERISTICS:
CURRENT RATING: 5A / 20A
CONNECTOR TEMPERATURE RANGE: -25°C TO +85°C
DIELECTRIC WITHSTANDING VOLTAGE:
500V AC FOR ONE MINUTE
- PANEL THICKNESS MAX. 3.0mm
- HOW TO ORDER: CDx-L1xxCSR

- 02 - 2 PIN 18 - 18 PIN
- 03 - 3 PIN
- 04 - 4 PIN
- 05 - 5 PIN
- 06 - 6 PIN
- 07 - 7 PIN

- G - CURRENT RATING 20A
- D - CURRENT RATING 5A



CDG-L102CSR CDG-L103CSR CDG-L104CSR CDG-L105CSR CDG-L106CSR CDG-L107CSR CDD-L118CSR

PIN ASSIGNMENT FRONT VIEW
(前視圖)

4	HEX NUT	Nylon + GF.	BLACK	1	
3	GASKET	EPDM.	BLACK	1	
2	CONTACT	Brass , 6 u" Gold Plated . Male Contact.		N	
1	CONNECTOR	D Size Male Connector Insert.Nylon+GF.	BLACK	1	
No.	PART NAME	DESCRIPTION	COLOR	Q'TY	REMARKS

	UNIT: mm	TITLE : Circular D Size Male Connector Male Pin Rear Mount Lock Type Round Flange Solder Bucket Pin
SCALE	1:1	
UNLESS OTHERWISE SPECIFIED TOLERANCES: .x ± 0.25 .xx ± 0.1 .xxx ± 0.05 ANGLE ± 1°		P/N: CDx-L1xxCSR
REV.	SHEET	
A	1/1	DWG.NO: CDx-L1xxCSR
		DR. Patty
		CH. ERIC
		AP.