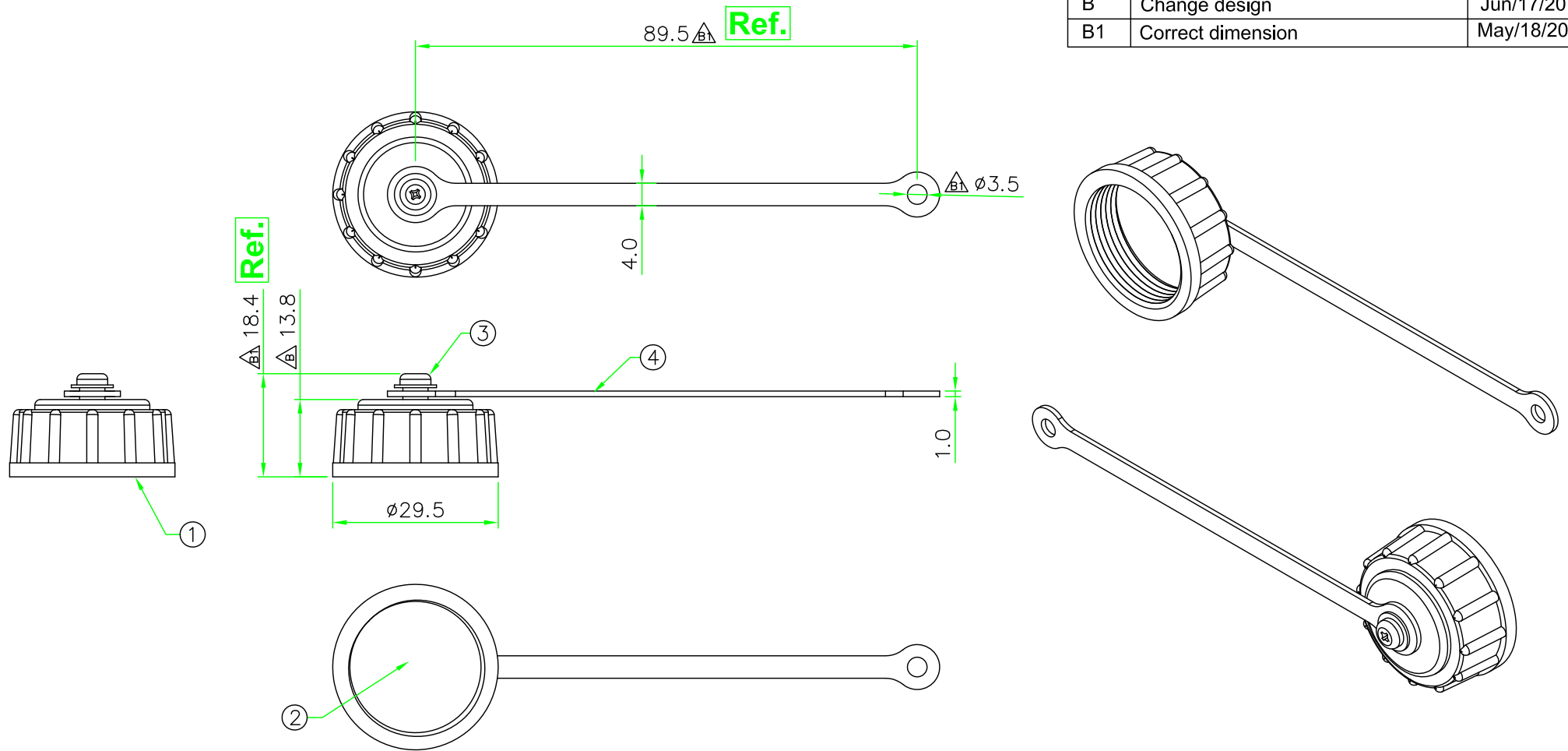






RoHS

REV.	DESCRIPTION	DATE
A	Issue	Sep/08/2011
A1	Change part number.	Mar/06/2014
B	Change design	Jun/17/2014
B1	Correct dimension	May/18/2017



4	CHAIN	Plastic Rubber.	BLACK	1	59-135
3	SCREW	P \oplus /W=7.5 3x6 TP-1, SUS		1	
2	GASKET	Plastic Rubber.	BLACK	1	
1	CAP	Screw Type Cap, NYLON+GF.	BLACK	1	85-135-N2
No.	PART NAME	DESCRIPTION	COLOR	Q'TY	REMARKS

			
	UNIT: mm SCALE 1:1 UNLESS OTHERWISE SPECIFIED TOLERANCES: .x ± 0.25 .xx ± 0.1 .xxx ± 0.05 ANGLE ± 1° REV. B1 SHEET 1/1	TITLE : Waterproof Cap For D Size Male Connector Lock & Screw Type With Rubber Chain P/N:  CDX-WCAP-MC DWG.NO:  CDX-WCAP-MC	DR. SIBYL CH. ERIC AP.