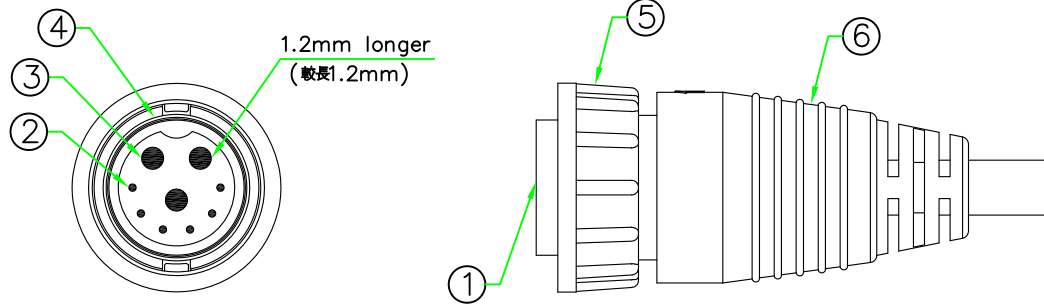
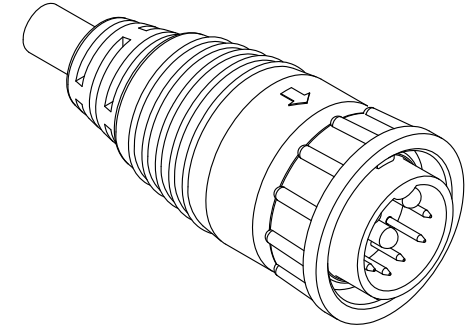
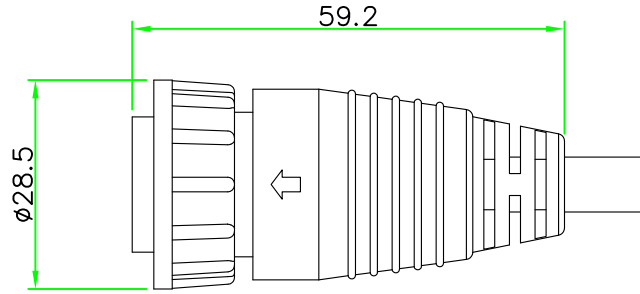


RoHS

IP66~68

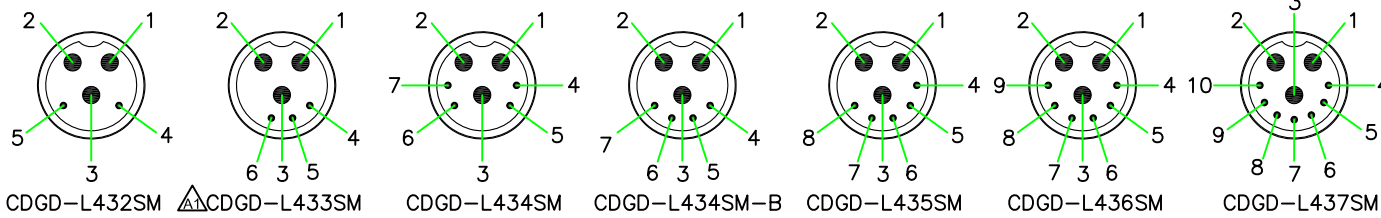
REV.	DESCRIPTION	DATE
A	ISSUE	Jul/24/2014
A1	Cancel P/N NO. CDGD-L333CPR-B & Change CDGD-L333CPR PIN ASSIGNMENT	Aug/01/2014



NOTES:

- ELECTRICAL CHARACTERISTICS:  
 CURRENT RATING: 20A + 5A  
 CONNECTOR TEMPERATURE RANGE: -40°C TO +105°C  
 DIELECTRIC WITHSTANDING VOLTAGE:  
 500V AC FOR ONE MINUTE
- HOW TO ORDER: CDGD-L43xSM(-B)

- 2 - 2 PIN 5 - 5 PIN
- 3 - 3 PIN 6 - 6 PIN
- 4 - 4 PIN 7 - 7 PIN



Pin Assignment Front View  
(前視圖)



6	OVERMOLD	PVC or PU.	BLACK	1	
5	LOCK NUT	NYLON+GF.	BLACK	1	
4	O-RING	EPDM.	BLACK	1	
3	CONTACT	Brass ,Male Pin. 6u" Gold Plated.		3	
2	CONTACT	Brass ,Male Pin. 6u" Gold Plated.		N	
1	CONNECTOR	D Size Female Connector Insert, NYLON+GF.	BLACK	1	
No.	PART NAME	DESCRIPTION	COLOR	Q'TY	REMARKS

UNIT: mm

SCALE 1:1

UNLESS OTHERWISE SPECIFIED TOLERANCES:  
 .x ± 0.25 .xx ± 0.1  
 .xxx ± 0.05 ANGLE ± 1°  
 REV. SHEET

TITLE :	Circular D Size Lock Type Female Connector Male Pin Molded Cable	
P/N:	CDGD-L43xSM(-B)	DR. Patty CH. ERIC
DWG.NO:	CDGD-L43xSM(-B)	AP.

A1 1/1