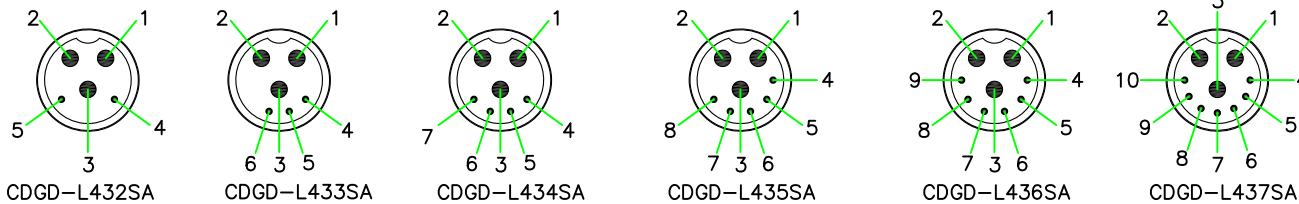
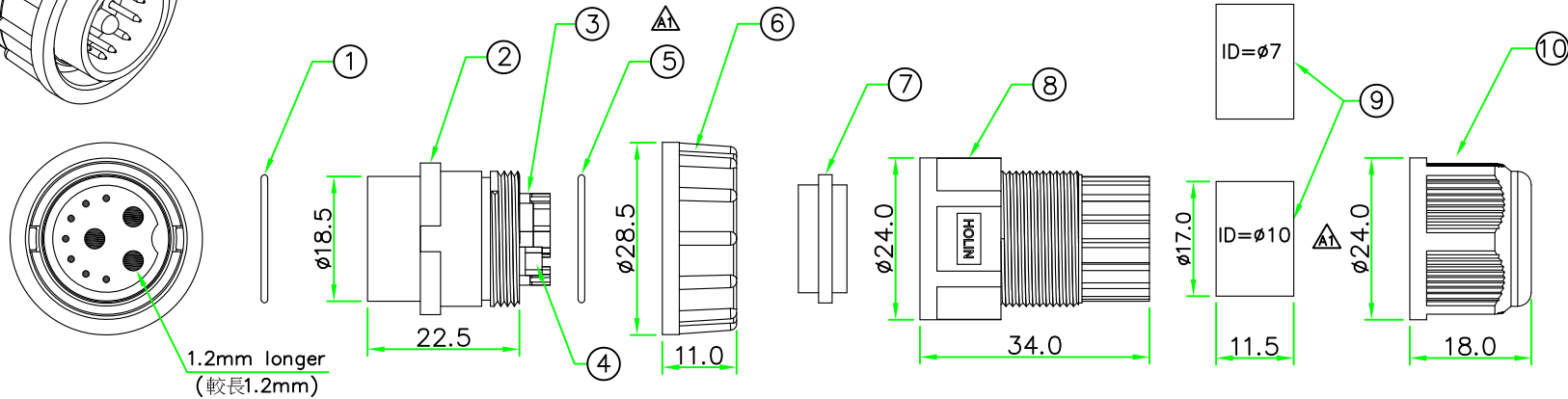
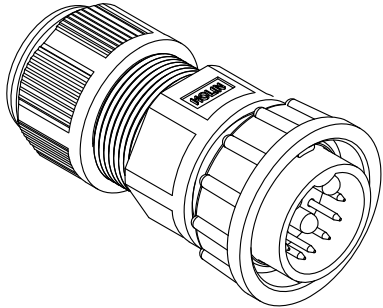


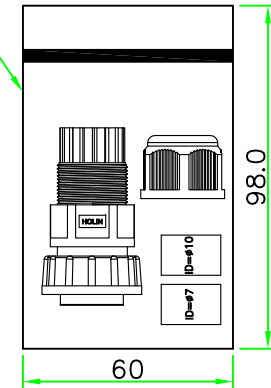
RoHS



Pin Assignment Front View

(前視圖)

#2 Zipper PE Bag.



10	CLAMP NUT	NYLON+GF.	BLACK	1	
9	TUBE	Rubber ( ID= 7.0 & 10.0mm)	BLACK	2	
8	HOOD	NYLON.	BLACK	1	
7	GASKET	Rubber	BLACK	1	
6	LOCK NUT	NYLON+GF.	BLACK	1	
5	O-RING	NBR.	BLACK	1	
4	CONTACT	BRASS ,Male Pin. 6u"Gold Plated.		N	
3	CONTACT	BRASS ,Male Pin. 6u"Gold Plated.		N	
2	CONNECTOR	CDGD Female Connector Insert, NYLON+GF.	BLACK	1	
1	O-RING	EPDM	BLACK	1	
No.	PART NAME	DESCRIPTION	COLOR	Q'TY	REMARKS

	UNIT: mm	TITLE : Circular D Size Lock Type Female connector Male Pin Field Installable Plug
SCALE	1:1	
UNLESS OTHERWISE SPECIFIED TOLERANCES: x ±0.25 xx ±0.1 xxx ±0.05 ANGLE ± 1°		P/N: CDGD-L4xxSA
REV.	SHEET	
B	1/1	DR. SIBYL CH. JAMES AP.
DWG.NO: CDGD-L4xxSA		