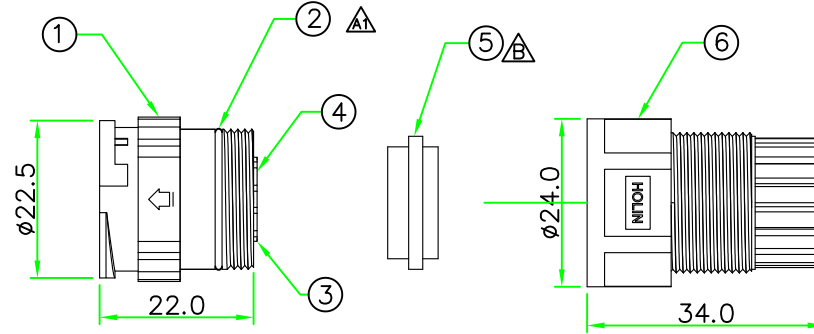
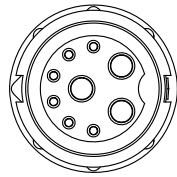
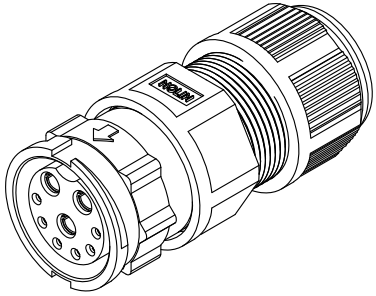
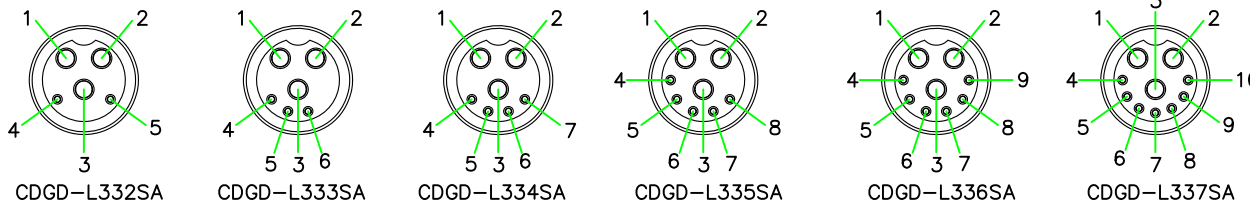
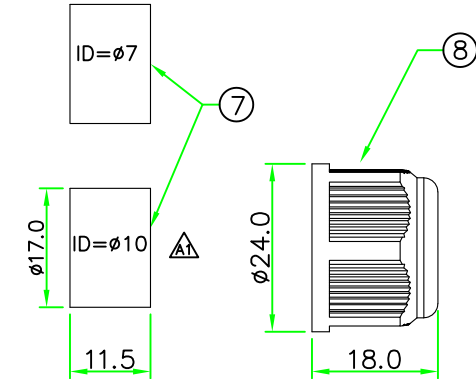


RoHS

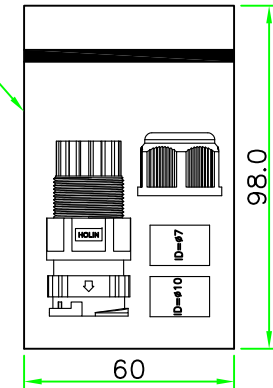


REV.	DESCRIPTION	DATE
A	ISSUE	Jun/22/2011
A1	Change O-Ring & tube size.	May/22/2014
B	Modified pin assignment, title, Draw No. & Gasket.	Oct/15/2020



Pin Assignment Front View
(前視圖)

#2 Zipper PE Bag.



8	CLAMP NUT	NYLON+GF.	BLACK	1	
7	TUBE	Rubber (ID= 7.0 & 10.0mm)	BLACK	2	
6	HOOD	NYLON.	BLACK	1	
5	GASKET	Rubber	BLACK	1	
4	CONTACT	BRASS ,Female Pin. 6u"Gold Plated.		N	
3	CONTACT	BRASS ,Female Pin. 6u"Gold Plated.		N	
2	O-RING	NBR.	BLACK	1	
1	CONNECTOR	CDGD Male Connector Insert, NYLON+GF.	BLACK	1	
No.	PART NAME	DESCRIPTION	COLOR	Q'TY	REMARKS



UNIT: mm
SCALE 1:1
TITLE : Circular D Size Lock Type Male Connector Female Pin Field Installable Plug

UNLESS OTHERWISE SPECIFIED TOLERANCES:
x ±0.25 xx ±0.1
xxx ±0.05 ANGLE ± 1'
REV. SHEET

P/N: CDGD-L3xxSA
DWG.NO: CDGD-L3xxSA

DR. SIBYL
CH. JAMES
AP.