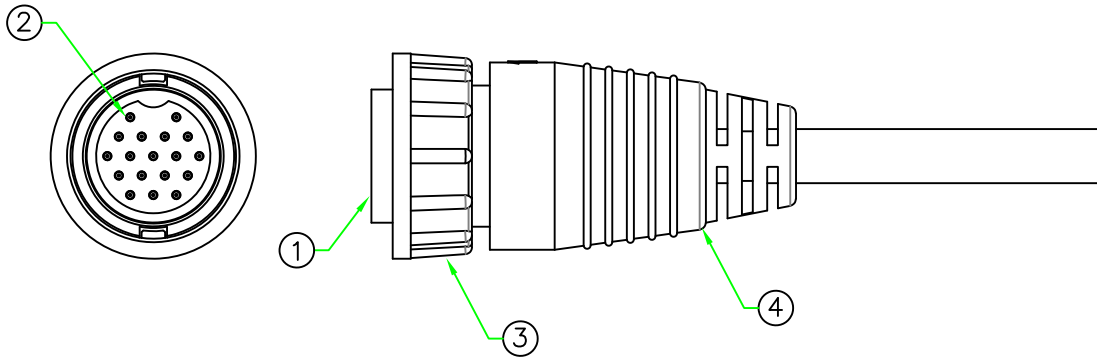
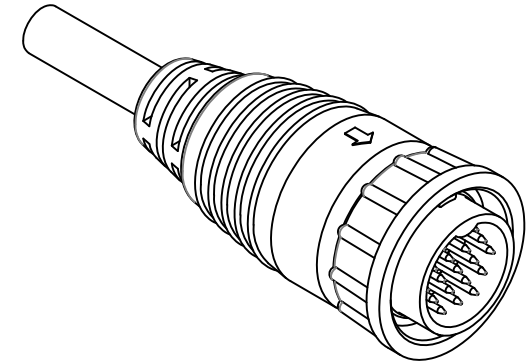
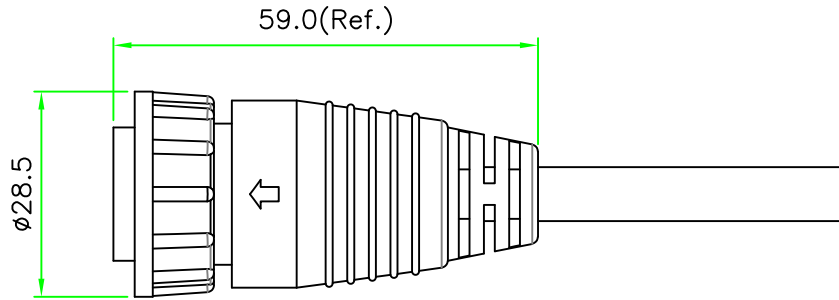


RoHS

IP66

REV	DESCRIPTION	DATE
A	ISSUE	Nov/15/2019

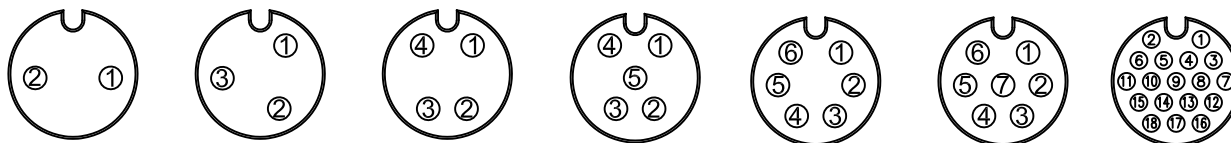


NOTES:

- ELECTRICAL CHARACTERISTICS:  
 CURRENT RATING: 5A / 20A  
 CONNECTOR TEMPERATURE RANGE: -20°C TO +80°C  
 DIELECTRIC WITHSTANDING VOLTAGE:  
 500V AC FOR ONE MINUTE
- HOW TO ORDER: CDx-L4xxSM

- 02 - 2 PIN    06 - 6 PIN
- 03 - 3 PIN    07 - 7 PIN
- 04 - 4 PIN    18 - 18 PIN
- 05 - 5 PIN
- G - CURRENT RATING 20A
- D - CURRENT RATING 5A

\*Cable specification and length can be customized.



CDG-L402SM CDG-L402SM CDG-L402SM CDG-L402SM CDG-L402SM CDG-L402SM CDD-L418SM

PIN ASSIGNMENT FRONT VIEW (前視圖)

4	OVERMOLD	PVC or PU.	BLACK	1	
3	LOCK NUT	Nylon+GF.	BLACK	1	
2	CONTACT	Brass, 6 u" Gold Plated. Female Contact.		N	
1	CONNECTOR	D Size Female Connector Insert. Nylon+GF.	BLACK	1	
No.	PART NAME	DESCRIPTION	COLOR	Q'TY	REMARKS



	UNIT: mm	TITLE :	Circular D Size Lock Type Female Connector Female Pin Molded Cable
SCALE	1:1	P/N:	CDx-L4xxSM
UNLESS OTHERWISE SPECIFIED TOLERANCES: .X ± 0.5 .XX ± 0.25 .XXX ± 0.1 ANGLE ± 1°	REV. A	SHEET 1/1	DWG.NO: CDx-L4xxSM
			DR. SIBYL CH. JAMES AP.