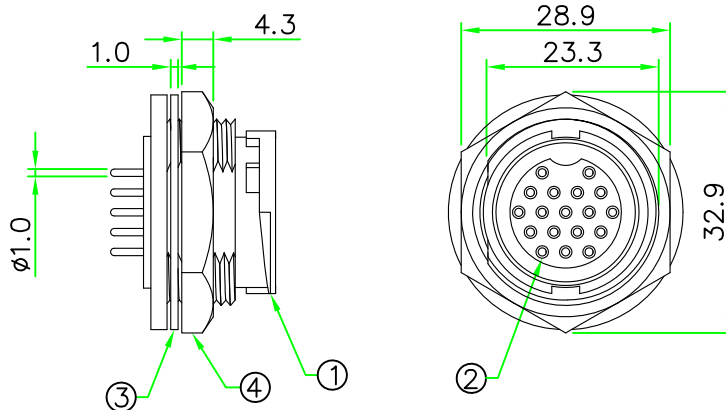
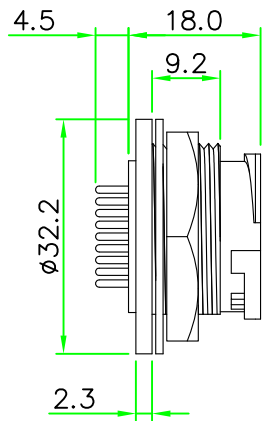
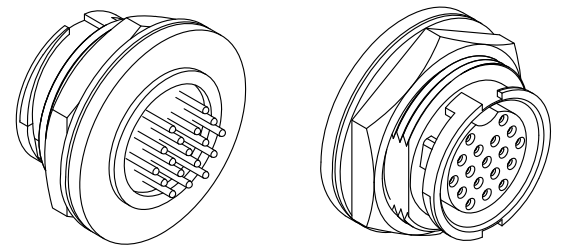


RECOMMENDED
PANEL CUT OUT

RoHS
IP66~68

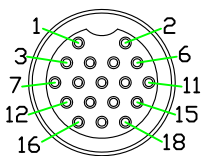


REV.	DESCRIPTION	DATE
A	ISSUE	Oct/14/2014

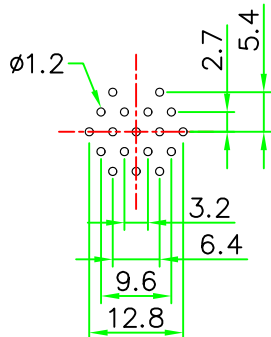


NOTES:

- ELECTRICAL CHARACTERISTICS:
CURRENT RATING: 5A
CONNECTOR TEMPERATURE RANGE: -25°C TO +85°C
DIELECTRIC WITHSTANDING VOLTAGE:
500V AC FOR ONE MINUTE
- PANEL THICKNESS MAX. 3.5 mm



PIN ASSIGNMENT
FRONT VIEW
(前視圖)



PCB LAYOUT

4	HEX NUT	Nylon + GF.	BLACK	1	
3	GASKET	EPDM.	BLACK	1	
2	CONTACT	Brass , 6 u" Gold Plated . Female Contact.		18	
1	CONNECTOR	D Size Male Connector Insert.NYLON+GF.	BLACK	1	
No.	PART NAME	DESCRIPTION	COLOR	Q'TY	REMARKS

		TITLE : Circular D Size 18P Male Connector Female Pin Rear Mount Lock Type Round Flange PCB Pin	
	UNIT: mm		
SCALE	1:1		
UNLESS OTHERWISE SPECIFIED TOLERANCES: .x ± 0.25 .xx ± 0.1 .xxx ± 0.05 ANGLE ± 1°		P/N:	CDD-L318CPR
REV. A		DR.	Patty
SHEET 1/1		CH.	ERIC
DWG.NO:		AP.	
			CDD-L318CPR