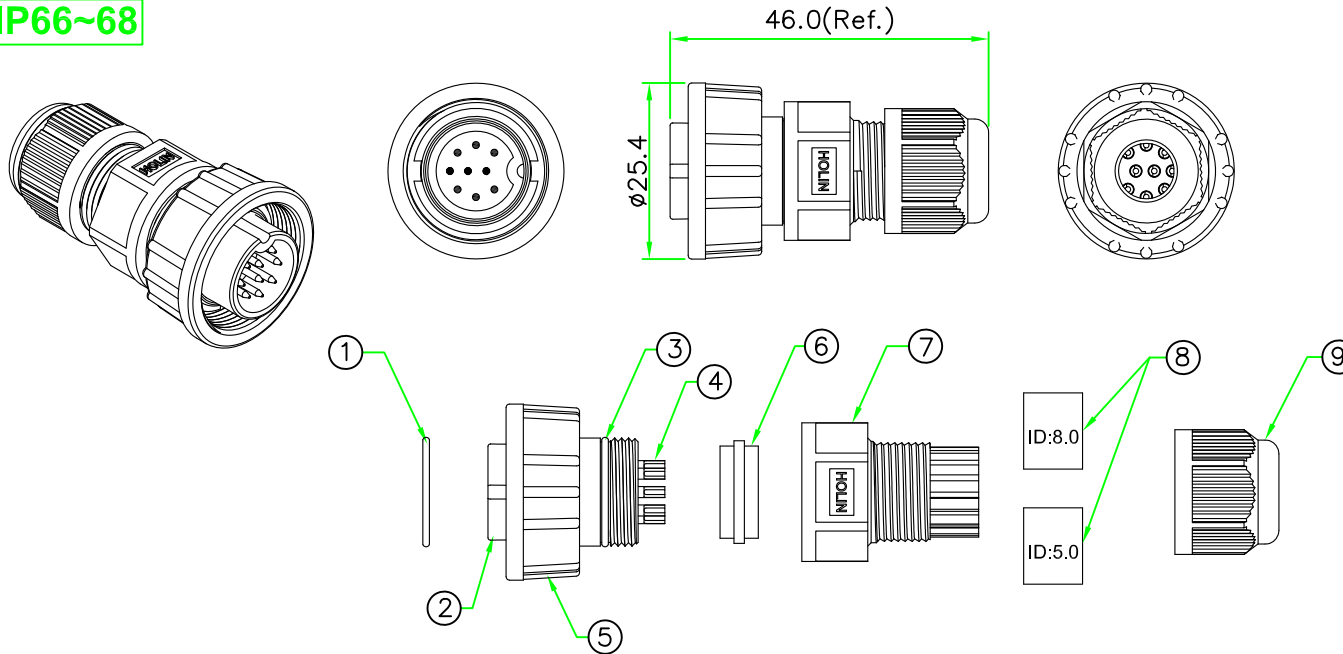


RoHS

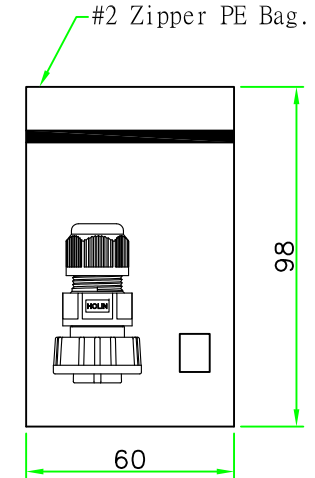
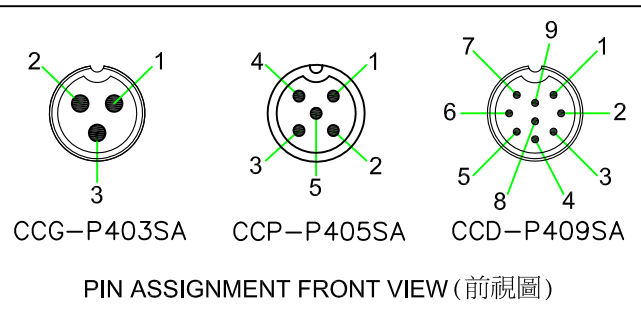
IP66~68



REV.	DESCRIPTION	DATE
A	ISSUE	Jun/09/2015

NOTES:

- ELECTRICAL CHARACTERISTICS:
 CURRENT RATING: 5A / 10A / 20A
 CONNECTOR TEMPERATURE RANGE: -20°C TO +80°C
 DIELECTRIC WITHSTANDING VOLTAGE:
 500V AC FOR ONE MINUTE
- HOW TO ORDER: CCx-P4xxSA
 - 03 - 3 PIN
 - 05 - 5 PIN
 - 09 - 9 PIN
 - D - CURRENT RATING 5A
 - P - CURRENT RATING 10A
 - G - CURRENT RATING 20A



9	CLAMP NUT	NYLON+GF.	BLACK	1	
8	TUBE	Rubber (ID= 5.0 & 8.0mm)	BLACK	2	
7	HOOD	NYLON.	BLACK	1	
6	GASKET	EPDM	BLACK	1	
5	SCREW NUT	NYLON+GF.	BLACK	1	
4	CONTACT	Brass ,Male Pin. 6u"Gold Plated.		N	
3	O-RING	NBR.	BLACK	1	
2	CONNECTOR	C Size Female Connector Insert, NYLON+GF.	BLACK	1	
1	O-RING	NBR.	BLACK	1	
No.	PART NAME	DESCRIPTION	COLOR	Q'TY	REMARKS

	UNIT: mm	TITLE : Circular C Size Screw Type Female connector Male Pin Field Installable Plug			
SCALE	1:1	P/N: CCx-P4xxSA		DR.	Patty
UNLESS OTHERWISE SPECIFIED TOLERANCES: .x ± 0.5 .xx ± 0.25 .xxx ± 0.1 ANGLE ± 1°		DWG.NO: CCx-P4xxSA		CH.	ERIC
REV.	SHEET			AP.	
A	1/1				